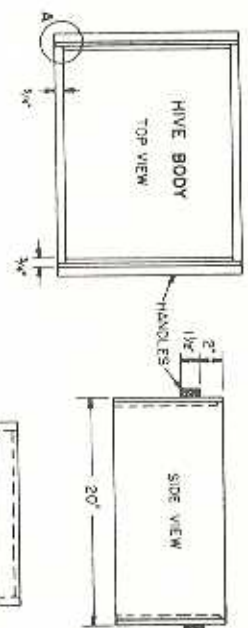
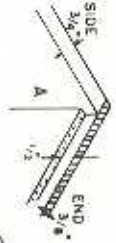
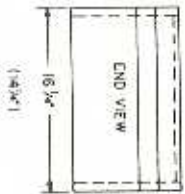


COVER 16 1/2" X 22"	BOTTOM 16 1/2" X 22"	BOTTOM 16 1/2" X 22"	COVER 16 1/2" X 22"
HANDLES 1 1/2" X 16 1/2"		HANDLES 1 1/2" X 16 1/2"	
SIDE 9 3/4" X 19 1/2"	END 9 3/4" X 16 1/2"	END 9 3/4" X 16 1/2"	SIDE 9 3/4" X 19 1/2"
SIDE 9 3/4" X 19 1/2"	END 9 3/4" X 16 1/2"	END 9 3/4" X 16 1/2"	SIDE 9 3/4" X 19 1/2"

CUTTING PLAN FOR PLYWOOD PARTS, SHOWING ACTUAL DIMENSIONS ALLOW FOR SAW KERFS ON SAWN EDGES. (ONE HIVE BODY FROM 4 X 4 PLYWOOD, FULL SUPER)



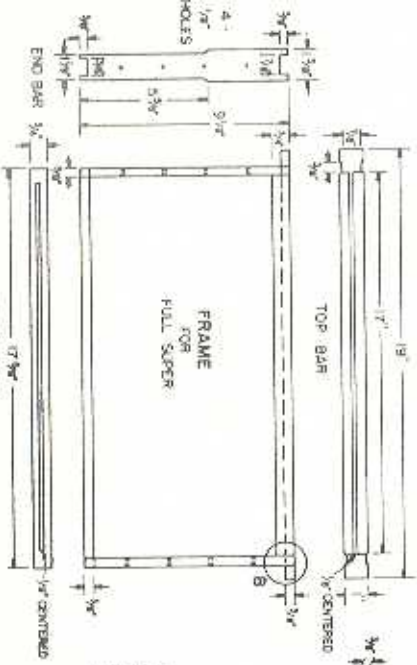
DEPTHS FOR HIVES  
 FULL SUPER - 19 3/4"  
 THREE-QUARTER SUPER - 15 3/4"  
 SHALLOW SUPER - 13 3/4"



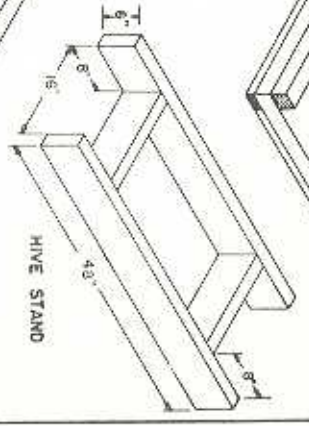
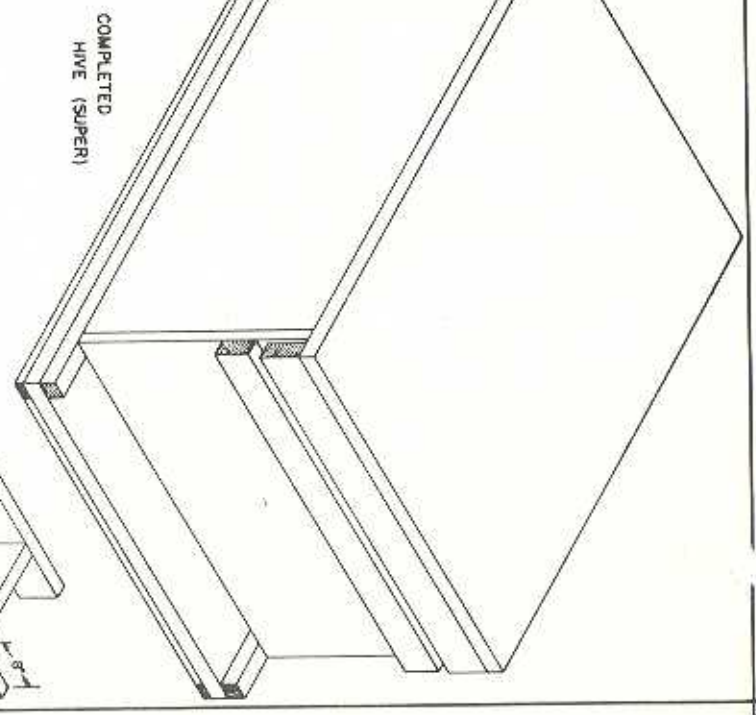
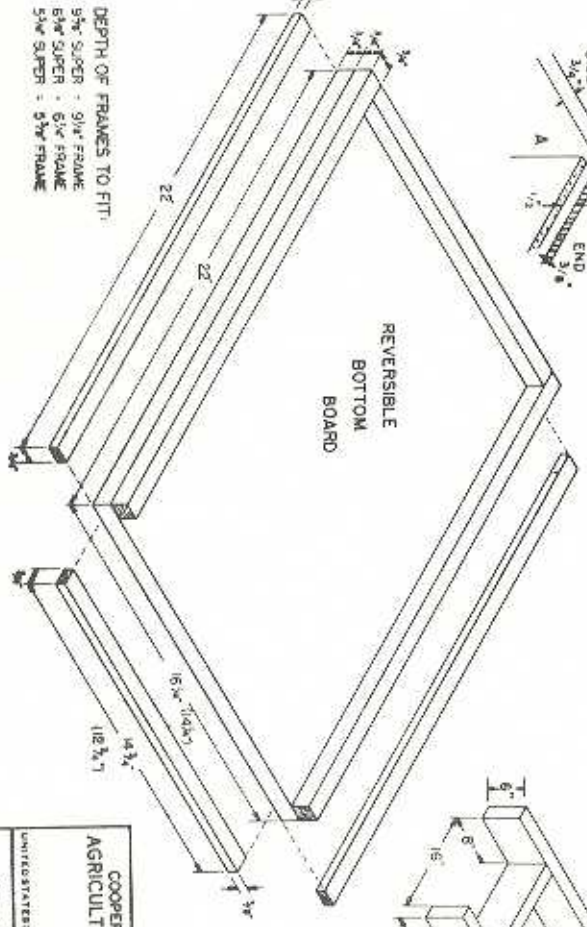
ALTERNATE DIMENSIONS FOR AN B-FRAME UNIT ARE IN BRACKETS.

**MATERIALS LIST**

- 10' - 10" - 2" X 6" PINE OR FIR
- 4' X 4' X 1/2" A-A EXTERIOR PLYWOOD
- 1 1/2" X 3 1/2" X 35" PINE OR FIR
- 1" X 3 1/2" X 20" PINE OR FIR
- 3/4" X 3 1/2" X 60" PINE OR FIR
- 1 1/4" X 3 1/2" X 19" PINE OR FIR
- 3/4" X 3 1/2" X 80" PINE OR FIR
- 1 LB. 6D BOX NAILS



DEPTH OF FRAMES TO FIT:  
 5 3/4" SUPER - 9 1/4" FRAME  
 5 1/2" SUPER - 6 1/2" FRAME  
 5 1/4" SUPER - 5 3/4" FRAME



BASED ON OREGON STATE UNIV. PLAN NO. BP 116

NO SCALE

COOPERATIVE EXTENSION WORK IN AGRICULTURE AND HOME ECONOMICS

BEEHIVE AND FRAME

OR. 76 6231 SHEET 1 OF 1