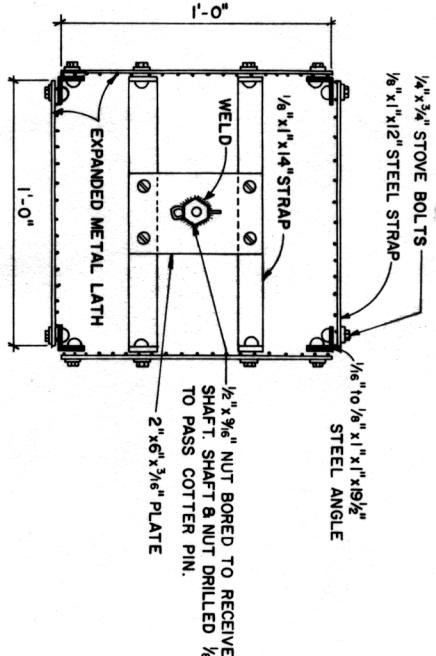
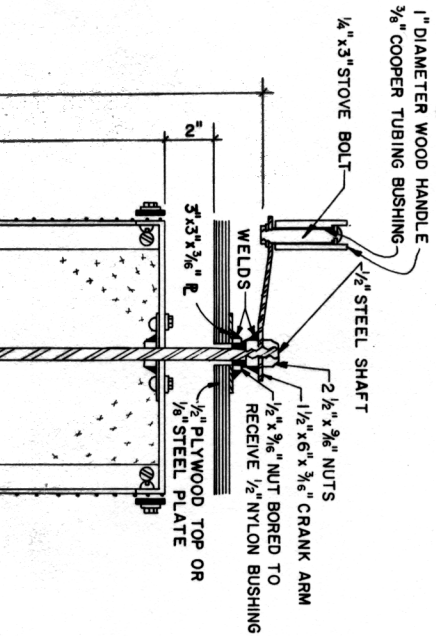
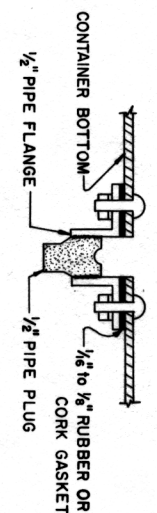


NOTE: THE HONEY EXTRACTOR SHOULD BE SPUN AFTER THEY HAVE BEEN UNCAPPED. THIS UNIT WILL HANDLE FOUR COMBS AT ONCE. CAUTION SHOULD BE USED WHEN EXTRACTING FROM NEW OR VERY OLD COMBS AS THEY ARE SUBJECT TO BREAKAGE. THESE COMBS SHOULD BE PARTIALLY EMPTIED ON ONE SIDE THEN TURNED AND PARTIALLY EMPTIED ON THE OTHER SIDE, REPEATING THIS PROCEDURE UNTIL ALL HONEY IS REMOVED.

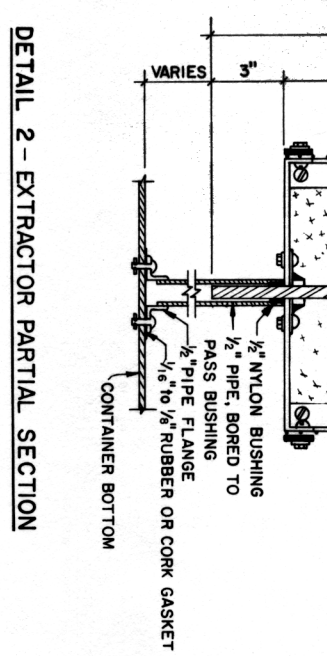


SECTION AA

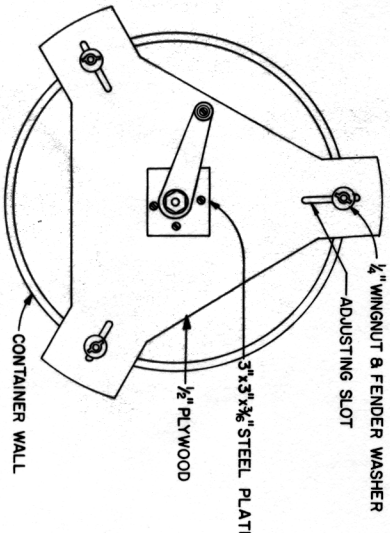


DETAIL 3 - DRAIN FITTING

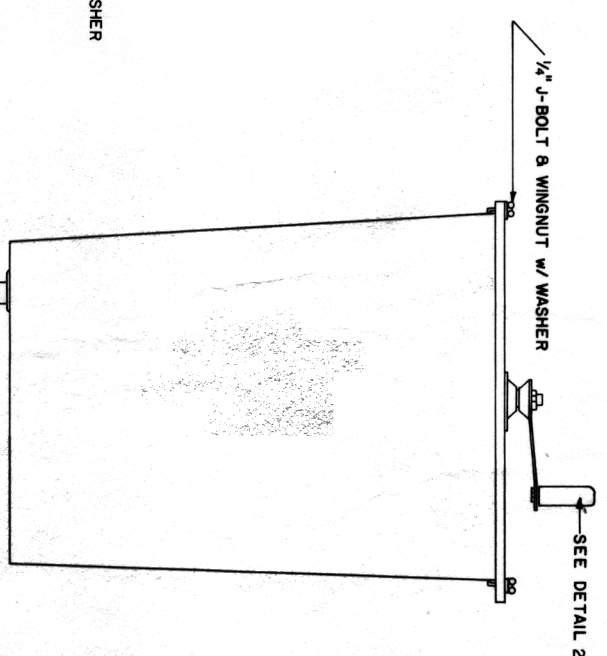
NOT TO SCALE



DETAIL 2 - EXTRACTOR PARTIAL SECTION



TOP VIEW



SIDE VIEW



COOPERATIVE EXTENSION WORK IN  
 AGRICULTURE AND HOME ECONOMICS  
 UNITED STATES DEPARTMENT OF AGRICULTURE COOPERATING  
 AND  
 HONEY EXTRACTOR  
 USDA '79 EX. 6330 SHEET 1 OF 1