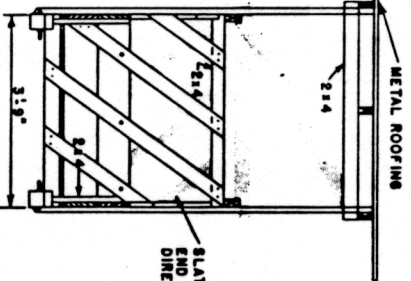
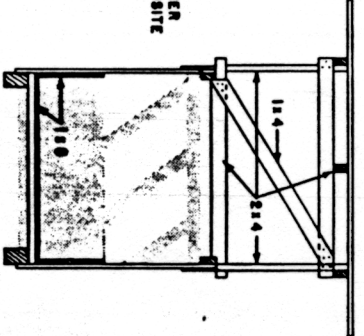


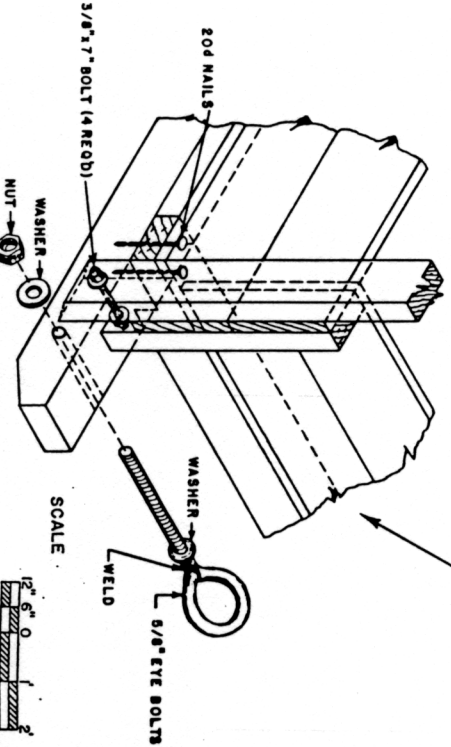
SIDE VIEW



END VIEW



CROSS SECTION



SCALE

**NOTES:**  
 ALL LUMBER IN CONTACT WITH OR WITHIN 12" OF GROUND SHOULD BE PRESURE TREATED.  
 SOME PRESURE TREATED POSTS & LUMBER USE PRESERVATIVES THAT EPA DOSE NOT ALLOW IN CONTACT WITH FEED. IN SUCH CASES, PLYWOOD OR PLASTIC SHOULD BE USED AS A LINER. CHECK SUPPLIER OR LABELS FOR GUIDANCE.  
 NAILS AND BOLTS SHOULD BE GALVANIZED  
 8d NAILS USED FOR SLATS SIDES AND FLOOR

**MATERIAL LIST:**

- 13-1x4x10'- SLATS AND BRACES
- 1-4x4x8'- SPREADERS
- 2-4x8x16'- SKIDS
- 11-1x8x14'- RUMK
- 4- 2x4x16'
- 5- 2x4x14'
- 3- 2x4x8'

**HARDWARE:**

- 8-SHEETS 1/2" CORRUGATED METAL-7' LONG
- 84-81.8
- 84-81.8
- 20d NAIL
- 2x- 3/8" x 7' BOLTS
- 4- 3/8" x 7' BOLTS
- 4- EYE BOLTS 1/2"