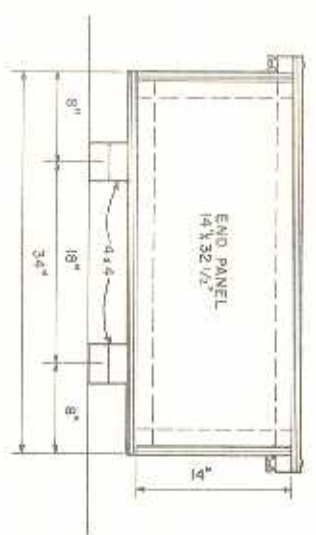
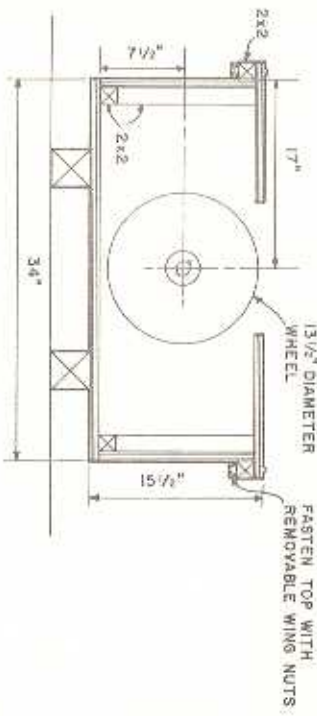


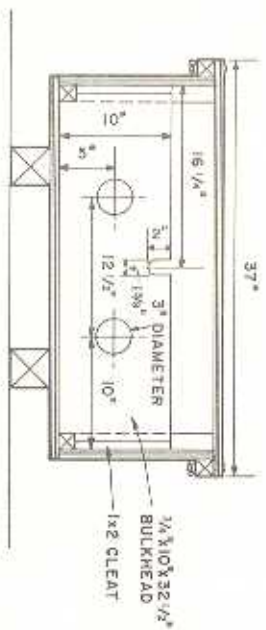
NOTE: ENDS, SIDES, TOP AND BOTTOM - 3/4" EXTERIOR DFWA PLYWOOD



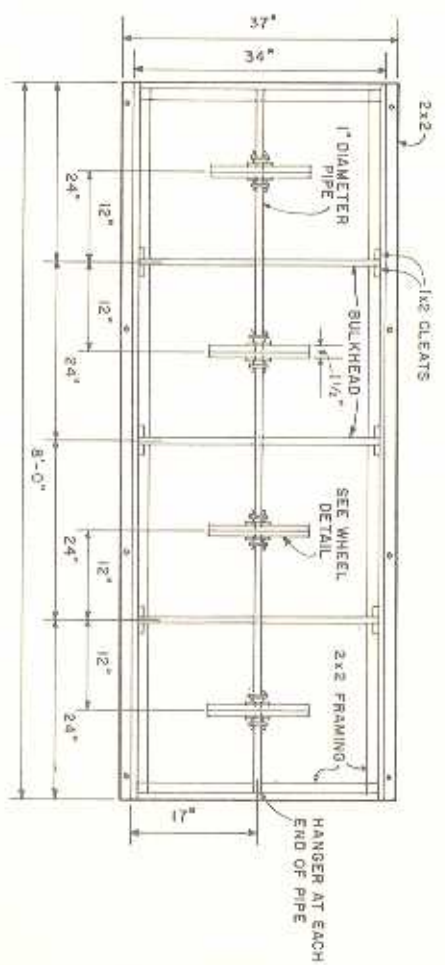
END VIEW
SCALE: 0 1 FT



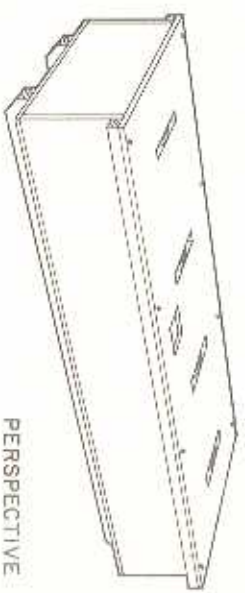
SECTION AT WHEEL
SCALE: 0 1 FT



SECTION AT BULKHEAD
SCALE: 0 1 FT



PLAN VIEW WITH TOP REMOVED
SCALE: 0 1 FT



PERSPECTIVE

THE PLYWOOD USE RECOMMENDATIONS CONTAINED IN THIS PUBLICATION ARE BASED UPON THE ASSOCIATION'S CONTINUING PROGRAM OF LABORATORY TESTING, PRODUCT RESEARCH AND COMPREHENSIVE FIELD EXPERIENCE.

BEST PERFORMANCE DEPENDS UPON THE USE OF QUALITY PLYWOOD, IDENTIFIED BY AMERICAN PLYWOOD ASSOCIATION GRADE - TRADEMARKS, PROPERLY APPLIED IN ACCORDANCE WITH THESE RECOMMENDATIONS.

This design is based on the use of approved Plywood Association grade-identified plywood. Structural deficiencies may result with the substitution of materials. Messer's simulation of the structure cannot be approved as stability may be reduced by the designer. See the American Plywood Association, Member of a trade association not responsible for the performance or warranty of the product by the user. Department of Agriculture or its endorsement by the Department, over other products not mentioned.