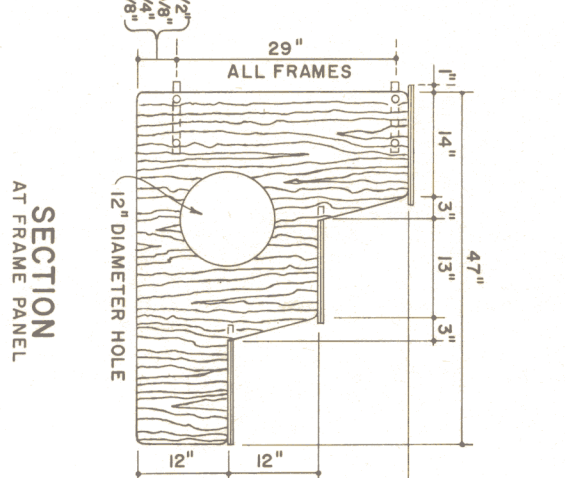
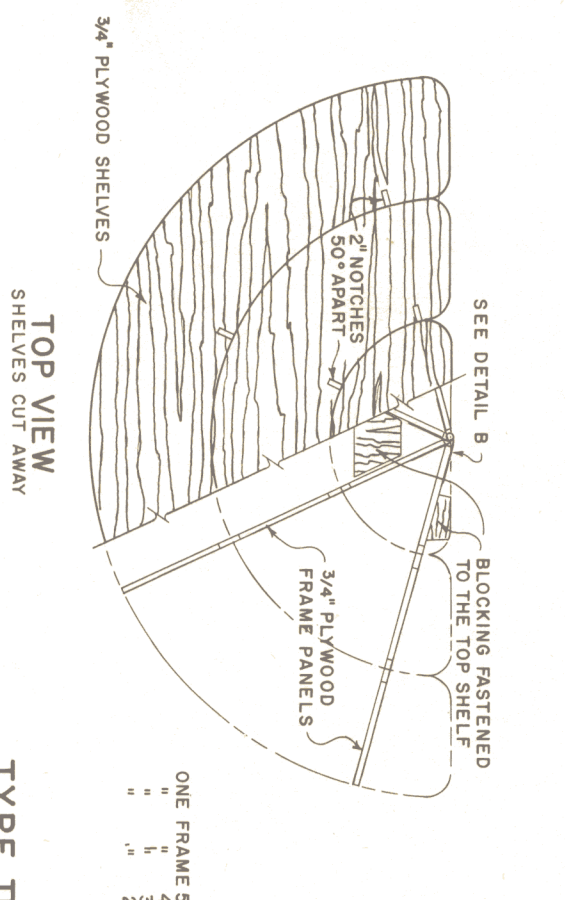


**DETAIL A**

**MATERIALS**

ITEM	SIZE	NO.
PLYWOOD	1/2"x4'-0"x8'-0"	ONE
WOOD	2"x4"x4'-0"	FOUR
"	2"x4"x5'-0"	FOUR
"	1"x8"x8'-0"	ONE
"	13/8"D.x6'-0"	FOUR

(FASTENINGS NOT INCLUDED)



**DETAIL B**

**MATERIALS**

ITEM	SIZE	NO.
PLYWD	3/4"x4'-0"x8'-0"	TWO
OR		
PLYWD	3/4"x4'-0"x8'-0"	ONE
"	1/2"x4'-0"x8'-0"	ONE
WOOD	1"x8"x10'-0"	ONE

(FASTENINGS NOT INCLUDED)

**TOP VIEW**  
SHELVES CUT AWAY

**TYPE II**

USE EXTERIOR GRADE PLYWOOD  
SAND ALL EDGES AND SEAL WITH A  
WATERPROOF PENETRATING SEALER  
WATERPROOF GLUE IS REQUIRED

HEIGHT OF TYPE I MAY BE AS  
DESIRED, BUT HEIGHT OF TYPE II  
IS PLANNED TO PERMIT CUTTING  
THE FOUR FRAME PANELS FROM  
ONE SHEET OF PLYWOOD

**SECTION**  
AT FRAME PANEL

SHELVES FOR TYPE II MAY BE OF  
1/2" PLYWOOD IF 1"x8" STIFFENERS  
ARE FASTENED UNDER THE BOTTOM  
SHELF, AS SHOWN FOR TYPE I

COOPERATIVE EXTENSION WORK IN  
AGRICULTURE AND HOME ECONOMICS  
DEPARTMENT OF AGRICULTURAL ENGINEERING  
UNIVERSITY OF MARYLAND  
AND  
UNITED STATES DEPARTMENT OF AGRICULTURE COOPERATING  
FOR PRODUCE

**TWO DISPLAY STANDS**

USDA '64 EX. 5982 SHEET 1 OF 1

