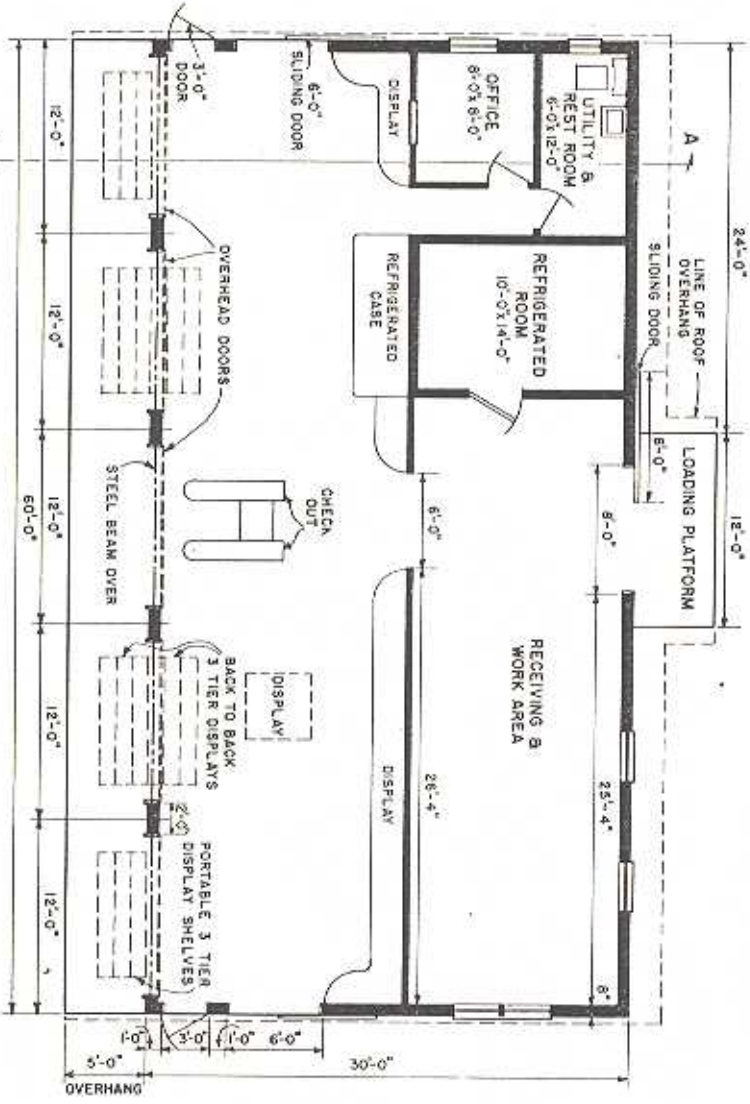


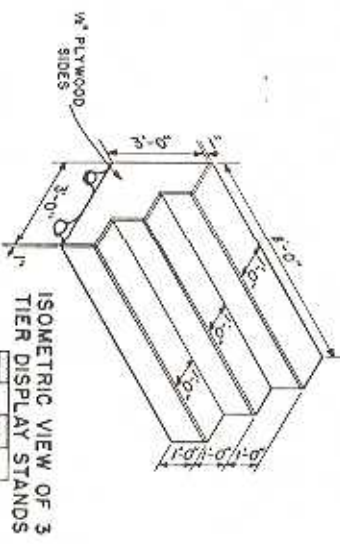
FRONT ELEVATION



RIGHT SIDE ELEVATION



PLAN



ISOMETRIC VIEW OF 3 TIER DISPLAY STANDS

NOTE DIMENSIONS SHOWN ARE NOMINAL, 1/2" LUNGER MAY BE USED.

COOPERATIVE EXTENSION WORK IN AGRICULTURE AND HOME ECONOMICS  
 DEPARTMENT OF AGRICULTURAL ENGINEERING  
 UNIVERSITY OF MARYLAND  
 COLLEGE PARK, MARYLAND

ROADSIDE MARKET

K.J. 67 EK 6027 SHEET 1 OF 3