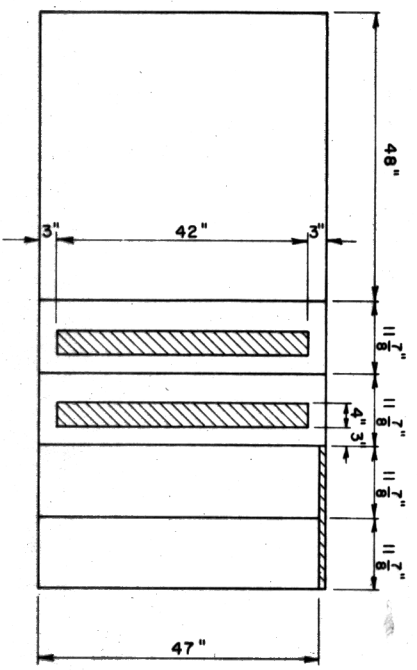
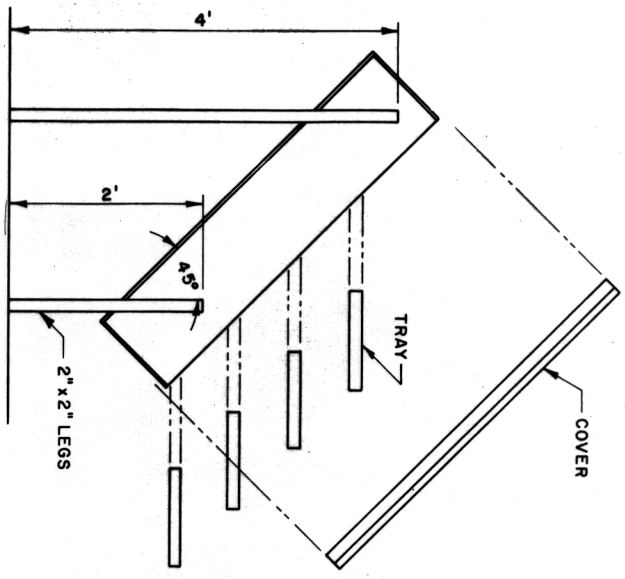
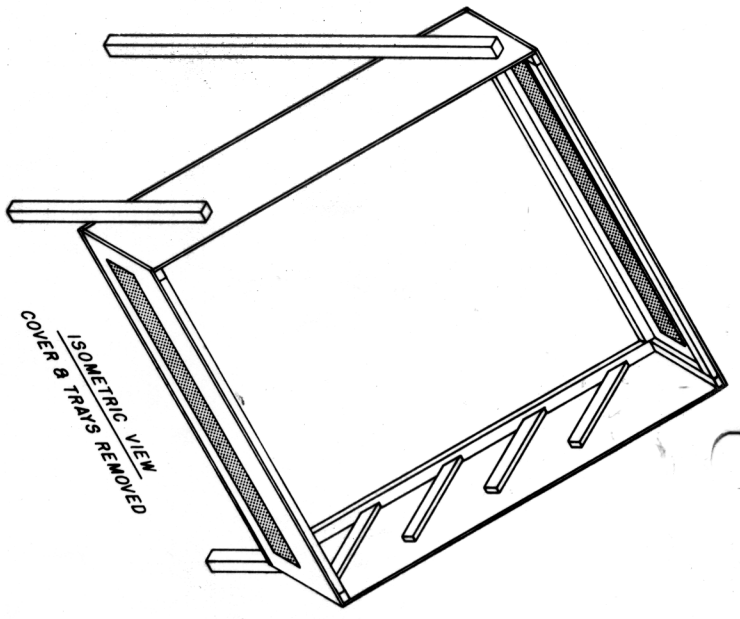


MATERIAL	QUANTITY
4' x 8' x 1/2" Ext. Plywood	1 Sheet
2" x 2"	12'
1" x 2"	120'
Alum. Or Viny Insect Screening	4' x 5'
4-6 Mil Clear Film	5' x 5'
1/2" x 3" "L Strip" Corner Braces	20
Misc. Supplies - Paint, Nails, Glue, etc.	As Req'd

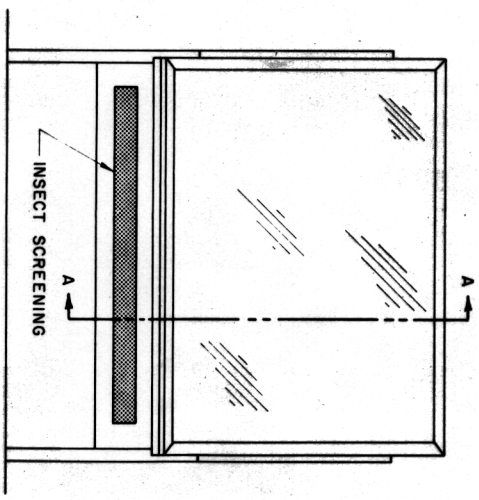
NOTE:  
CONSULT LOCAL HEALTH AND BUILDING  
CODE AUTHORITIES BEFORE STARTING  
CONSTRUCTION.



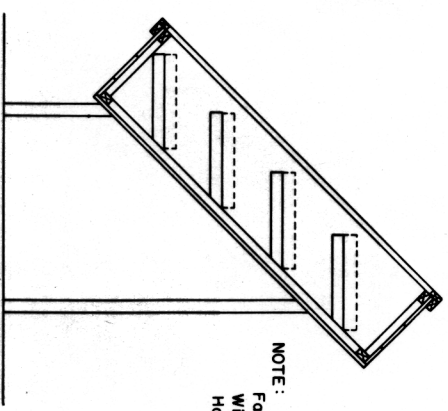
PLYWOOD CUTTING DIAGRAM



SIDE VIEW



FRONT VIEW



SECTION A-A

NOTE:  
Fasten Cover To Box  
With 4 Screen Door  
Hooks

NOTE:  
Do Not Use Paint That Contains Lead On Trays Or Inside Of Box.

BASED ON OKLA. STATE UNIV.  
PLAN NO. OK-770-9

Adapted From Design By DAVID G. WAGNER a  
POLLY ALLEN, Colorado State University



UNITED STATES DEPARTMENT OF AGRICULTURE COOPERATING	
AND	
COOPERATIVE EXTENSION WORK IN	
AGRICULTURE AND HOME ECONOMICS	
SOLAR FRUIT DRYER	
OK.	76 6244 SHEET 1 OF 2