

STUD NUMBER	STUD SIZE	FOOTING	WALL	CEILING	FOUNDATION
1	2" x 4"	2" x 4"	2" x 4"	2" x 4"	2" x 4"
2	2" x 4"	2" x 4"	2" x 4"	2" x 4"	2" x 4"
3	2" x 4"	2" x 4"	2" x 4"	2" x 4"	2" x 4"
4	2" x 4"	2" x 4"	2" x 4"	2" x 4"	2" x 4"
5	2" x 4"	2" x 4"	2" x 4"	2" x 4"	2" x 4"
6	2" x 4"	2" x 4"	2" x 4"	2" x 4"	2" x 4"
7	2" x 4"	2" x 4"	2" x 4"	2" x 4"	2" x 4"
8	2" x 4"	2" x 4"	2" x 4"	2" x 4"	2" x 4"
9	2" x 4"	2" x 4"	2" x 4"	2" x 4"	2" x 4"
10	2" x 4"	2" x 4"	2" x 4"	2" x 4"	2" x 4"
11	2" x 4"	2" x 4"	2" x 4"	2" x 4"	2" x 4"
12	2" x 4"	2" x 4"	2" x 4"	2" x 4"	2" x 4"
13	2" x 4"	2" x 4"	2" x 4"	2" x 4"	2" x 4"
14	2" x 4"	2" x 4"	2" x 4"	2" x 4"	2" x 4"
15	2" x 4"	2" x 4"	2" x 4"	2" x 4"	2" x 4"
16	2" x 4"	2" x 4"	2" x 4"	2" x 4"	2" x 4"
17	2" x 4"	2" x 4"	2" x 4"	2" x 4"	2" x 4"
18	2" x 4"	2" x 4"	2" x 4"	2" x 4"	2" x 4"
19	2" x 4"	2" x 4"	2" x 4"	2" x 4"	2" x 4"
20	2" x 4"	2" x 4"	2" x 4"	2" x 4"	2" x 4"
21	2" x 4"	2" x 4"	2" x 4"	2" x 4"	2" x 4"
22	2" x 4"	2" x 4"	2" x 4"	2" x 4"	2" x 4"
23	2" x 4"	2" x 4"	2" x 4"	2" x 4"	2" x 4"
24	2" x 4"	2" x 4"	2" x 4"	2" x 4"	2" x 4"
25	2" x 4"	2" x 4"	2" x 4"	2" x 4"	2" x 4"
26	2" x 4"	2" x 4"	2" x 4"	2" x 4"	2" x 4"
27	2" x 4"	2" x 4"	2" x 4"	2" x 4"	2" x 4"

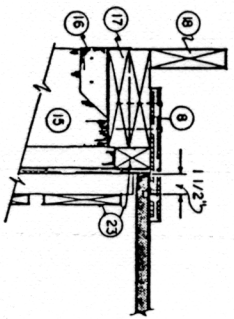
**1 WALL FOOTING SIZES & REINFORCING**

STUD NUMBER	STUD SIZE	FOOTING	WALL	CEILING	FOUNDATION
1	2" x 4"	2" x 4"	2" x 4"	2" x 4"	2" x 4"
2	2" x 4"	2" x 4"	2" x 4"	2" x 4"	2" x 4"
3	2" x 4"	2" x 4"	2" x 4"	2" x 4"	2" x 4"
4	2" x 4"	2" x 4"	2" x 4"	2" x 4"	2" x 4"
5	2" x 4"	2" x 4"	2" x 4"	2" x 4"	2" x 4"
6	2" x 4"	2" x 4"	2" x 4"	2" x 4"	2" x 4"
7	2" x 4"	2" x 4"	2" x 4"	2" x 4"	2" x 4"
8	2" x 4"	2" x 4"	2" x 4"	2" x 4"	2" x 4"
9	2" x 4"	2" x 4"	2" x 4"	2" x 4"	2" x 4"
10	2" x 4"	2" x 4"	2" x 4"	2" x 4"	2" x 4"
11	2" x 4"	2" x 4"	2" x 4"	2" x 4"	2" x 4"
12	2" x 4"	2" x 4"	2" x 4"	2" x 4"	2" x 4"
13	2" x 4"	2" x 4"	2" x 4"	2" x 4"	2" x 4"
14	2" x 4"	2" x 4"	2" x 4"	2" x 4"	2" x 4"
15	2" x 4"	2" x 4"	2" x 4"	2" x 4"	2" x 4"
16	2" x 4"	2" x 4"	2" x 4"	2" x 4"	2" x 4"
17	2" x 4"	2" x 4"	2" x 4"	2" x 4"	2" x 4"
18	2" x 4"	2" x 4"	2" x 4"	2" x 4"	2" x 4"
19	2" x 4"	2" x 4"	2" x 4"	2" x 4"	2" x 4"
20	2" x 4"	2" x 4"	2" x 4"	2" x 4"	2" x 4"
21	2" x 4"	2" x 4"	2" x 4"	2" x 4"	2" x 4"
22	2" x 4"	2" x 4"	2" x 4"	2" x 4"	2" x 4"
23	2" x 4"	2" x 4"	2" x 4"	2" x 4"	2" x 4"
24	2" x 4"	2" x 4"	2" x 4"	2" x 4"	2" x 4"
25	2" x 4"	2" x 4"	2" x 4"	2" x 4"	2" x 4"
26	2" x 4"	2" x 4"	2" x 4"	2" x 4"	2" x 4"
27	2" x 4"	2" x 4"	2" x 4"	2" x 4"	2" x 4"

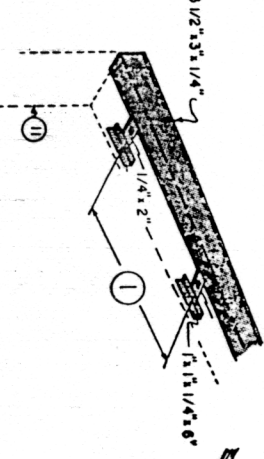
**2 WOOD STUD SIZE**

STUD NUMBER	STUD SIZE	FOOTING	WALL	CEILING	FOUNDATION
1	2" x 4"	2" x 4"	2" x 4"	2" x 4"	2" x 4"
2	2" x 4"	2" x 4"	2" x 4"	2" x 4"	2" x 4"
3	2" x 4"	2" x 4"	2" x 4"	2" x 4"	2" x 4"
4	2" x 4"	2" x 4"	2" x 4"	2" x 4"	2" x 4"
5	2" x 4"	2" x 4"	2" x 4"	2" x 4"	2" x 4"
6	2" x 4"	2" x 4"	2" x 4"	2" x 4"	2" x 4"
7	2" x 4"	2" x 4"	2" x 4"	2" x 4"	2" x 4"
8	2" x 4"	2" x 4"	2" x 4"	2" x 4"	2" x 4"
9	2" x 4"	2" x 4"	2" x 4"	2" x 4"	2" x 4"
10	2" x 4"	2" x 4"	2" x 4"	2" x 4"	2" x 4"
11	2" x 4"	2" x 4"	2" x 4"	2" x 4"	2" x 4"
12	2" x 4"	2" x 4"	2" x 4"	2" x 4"	2" x 4"
13	2" x 4"	2" x 4"	2" x 4"	2" x 4"	2" x 4"
14	2" x 4"	2" x 4"	2" x 4"	2" x 4"	2" x 4"
15	2" x 4"	2" x 4"	2" x 4"	2" x 4"	2" x 4"
16	2" x 4"	2" x 4"	2" x 4"	2" x 4"	2" x 4"
17	2" x 4"	2" x 4"	2" x 4"	2" x 4"	2" x 4"
18	2" x 4"	2" x 4"	2" x 4"	2" x 4"	2" x 4"
19	2" x 4"	2" x 4"	2" x 4"	2" x 4"	2" x 4"
20	2" x 4"	2" x 4"	2" x 4"	2" x 4"	2" x 4"
21	2" x 4"	2" x 4"	2" x 4"	2" x 4"	2" x 4"
22	2" x 4"	2" x 4"	2" x 4"	2" x 4"	2" x 4"
23	2" x 4"	2" x 4"	2" x 4"	2" x 4"	2" x 4"
24	2" x 4"	2" x 4"	2" x 4"	2" x 4"	2" x 4"
25	2" x 4"	2" x 4"	2" x 4"	2" x 4"	2" x 4"
26	2" x 4"	2" x 4"	2" x 4"	2" x 4"	2" x 4"
27	2" x 4"	2" x 4"	2" x 4"	2" x 4"	2" x 4"

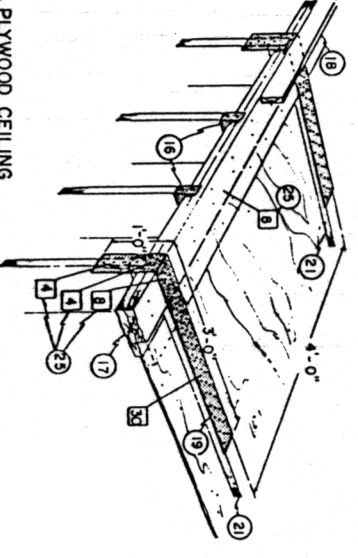
**3 NAILING TABLE**



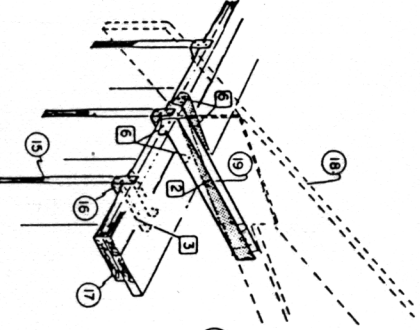
**ALTERNATIVE STEEL CEILING AT ENDWALL**



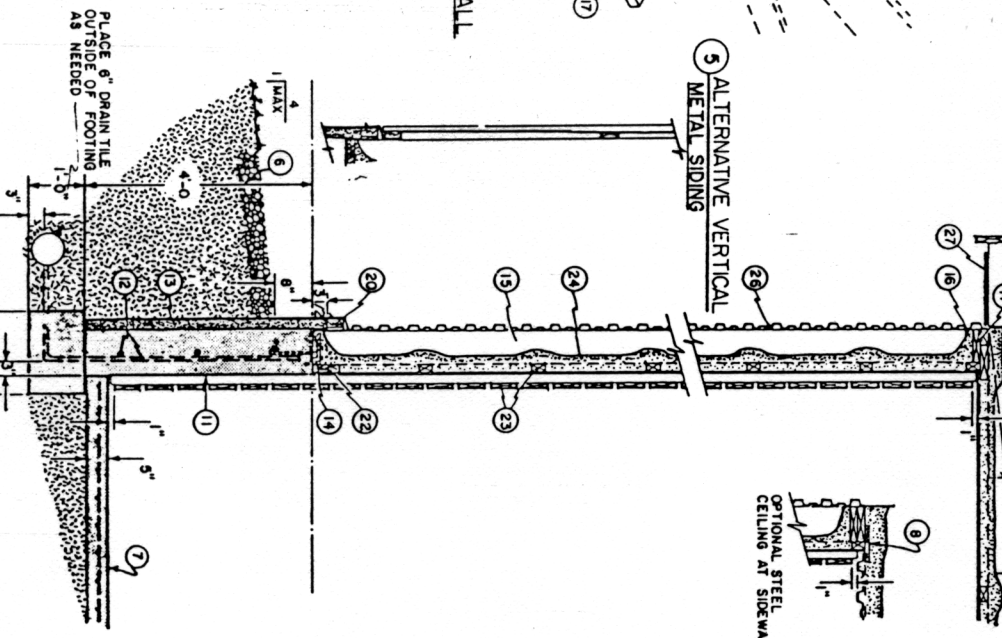
**TRUSS - TO - SIDEWALL CONNECTION**



**4 PLYWOOD CEILING AT ENDWALL**



**5 ALTERNATIVE VERTICAL METAL SIDING**



**WALL SECTION**

**1. Table of footing sizes and ceiling**

- Table of footing sizes assumes no vibration such as near railroad tracks that would induce settling as vegetable dryer. Closer spacing of studs may be required for such situations.
- Table of wood stud sizes assumes no vibration such as near railroad tracks that would induce settling as vegetable dryer. Closer spacing of studs may be required for such situations.
- Mailing table, stud to plate and truss to plate
- Plywood ceiling at endwall
- Alternative vertical exterior metal siding on 2 x 4 x 4 strapping @ 4'-0" o.c. max.
- 3/4" x 4" deep course gravel splash pad
- Concrete floor, on compacted gravel or sand fill.
- 3/4" plywood blocking between trusses, 3 1/2" spiral nails to 11 @ same spacing as adjacent ceiling screws
- Welded steel anchor continuous, painted with rustproof primer; for 1/2" x 1 1/4" anchor bolt spacing, see 11. Note: Commercial heavy duty galvanized fasteners are a better alternative. They are available at less cost and would require less labor
- Footing width, see table 1
- Concrete foundation wall, width = stud size + 2" vertical control joints @ 30'-0" o.c.
- No. 5 rebars, see 1 for spacing
- 2" rigid, vapor-resistant insulation (i.e. polystyrene) with a V.B. resistance toward the outside and an abrasion resistant outside protective sheet of material.
- 2 x stud width, CCA pressure-treated sill anchor and concrete foundation with 5/8" bolts spaced as shown on 1
- stud, see 2 for size and spacing
- heavy duty joist hanger at each stud to plate connection, nail as per 3
- bottom plate same size as studs, top plate 4" wider, joints staggered 8'-0" o.c.
- roof trusses @ 4'-0" or less, increase lower chord for 'Plate Force' in 2
- 20 ga. x 4" galv. pre-bent steel strap, number of 1 1/2" galv. Large-head roofing nails to framing indicated as Note: Commercial connectors may be used.
- 2 x 4 pressure-treated nailer for 3 plywood spacers @ stud
- 16'-0" long girts @ endwall
- 2 x 6 CCA-pressure-treated base-strapping, 2-3 1/2" galv. spiral nails to each stud and sill 15
- 2 x 3 horizontal strapping @ 2'-0" o.c. 1 5/16" plywood sheathing, face grain vertical, 2 x 2 vertical strapping at each stud; 1 x 6 slanting (1" spaces)
- B-28 insulation with a vapor barrier on the outside.
- Demolish number of spiral nails for plate and strap nailing.
- horizontal exterior metal siding screwed to studs, over asphalt felt windproofing
- 1" soffit, 2" screened vent slot

**COOPERATIVE EXTENSION SERVICE AGRICULTURE AND HOME ECONOMICS**

UNITED STATES DEPARTMENT OF AGRICULTURE COOPERATING

REFRIGERATED BULK VEGETABLE STORAGE WALL

CAN '87 6388 SHEET 1 OF 1

DRAWINGS NOT TO SCALE