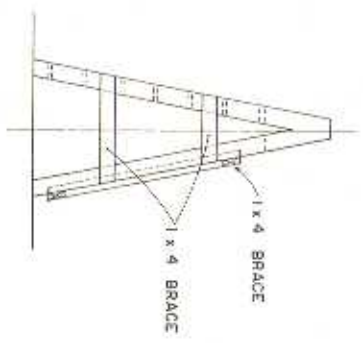
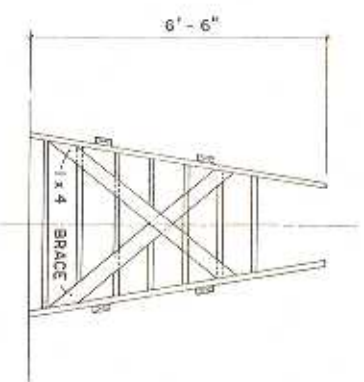


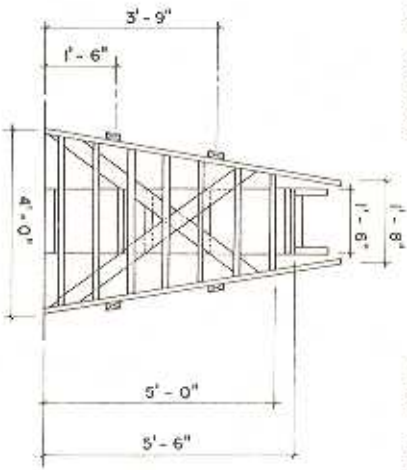
REAR ELEVATION OF LADDER



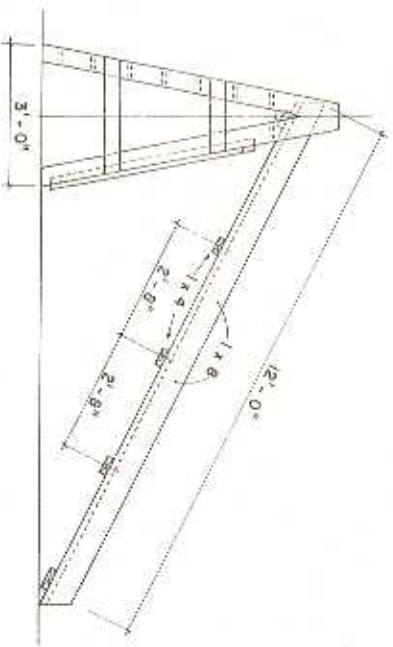
SIDE ELEVATION OF LADDER



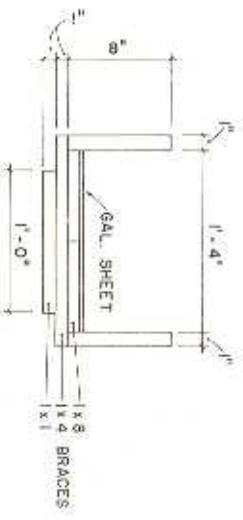
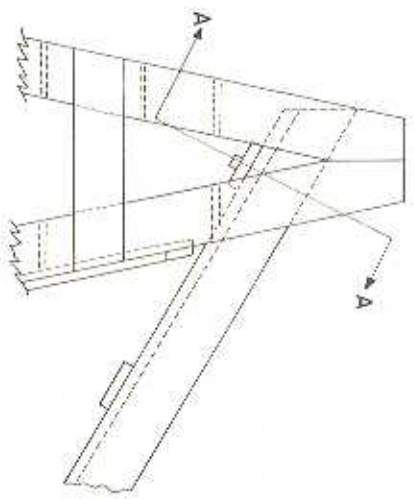
BRACING DETAIL



REAR ELEVATION



SIDE ELEVATION



SECTION A - A



SLIDING BOARD



SCALE: UNLESS OTHERWISE NOTE

COOPERATIVE EXTENSION WORK IN AGRICULTURE AND HOME ECONOMICS

UNIVERSITY OF CALIFORNIA, DIVISION OF AGRICULTURE AND EXTENSION

PLAYGROUND EQUIPMENT

USDA 79 EX. 6317 SHEET 1 OF 4

BASED ON: AUBURN UNIV. PLAN NO. E-302