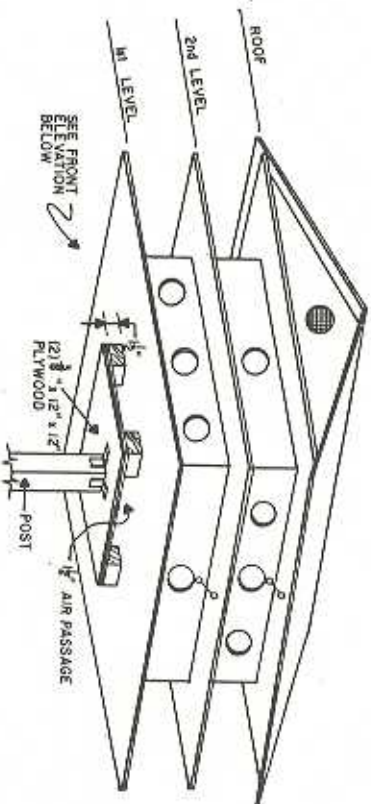
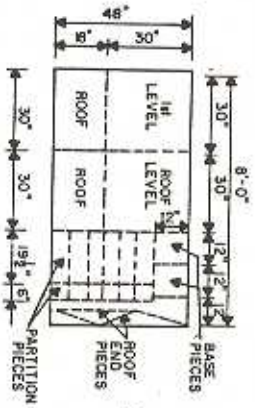


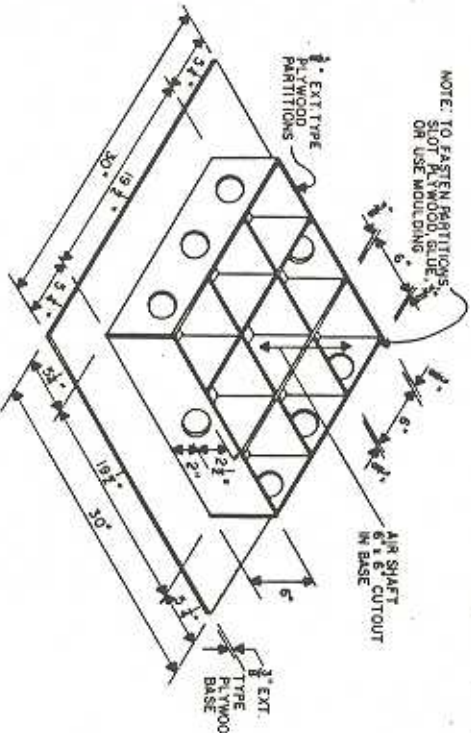
ROOF DETAILS



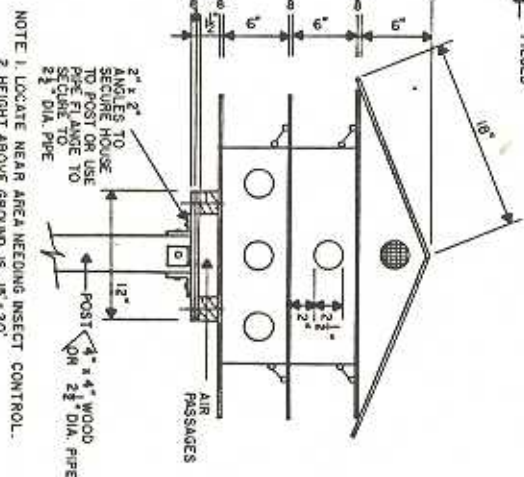
VIEW OF TWO LEVEL BIRDHOUSE



0 1/4" x 4" x 5" 1 1/2"
UNLESS OTHERWISE NOTED

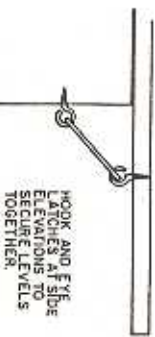


NOTE TO FASTEN PARTITIONS:
SLOT PLYWOOD, & USE
ON SLOT PLYWOOD, & USE
ON USE MOLDING.



NOTE 1. LOCATE NEAR AREA NEEDING INSECT CONTROL.
2. HEIGHT ABOVE GROUND IS 15" - 20".

DETAIL FOR LATCHES



DETAILS OF ONE LEVEL

FRONT ELEVATION

COOPERATIVE EXTENSION WORK IN AGRICULTURE AND HOME ECONOMICS		
UNITED STATES DEPARTMENT OF AGRICULTURE COOPERATING		
AND		
PURPLE MARTIN BIRDHOUSE		
NO. 69	EX. 6344	SHEET 1 OF 1