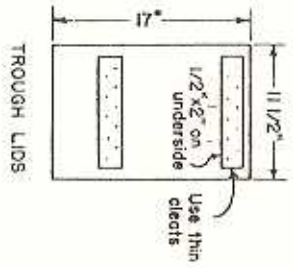
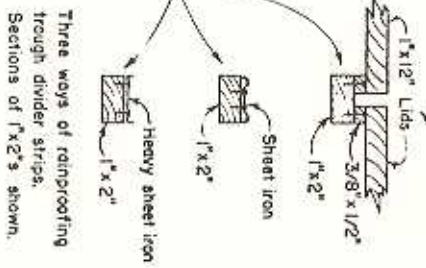
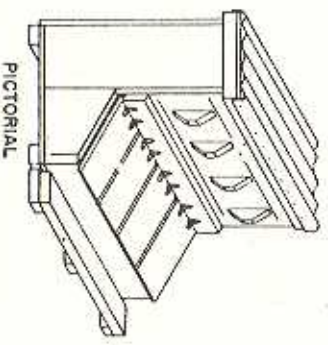


FLOOR PLAN

Scale: 0 1 FT

NOTE:  
Place feeders back to back  
for double feeder.



BILL OF MATERIAL

- (Fir lumber is equal to work than hard pine.)
- 1-2'x4'x10'
  - 1-2'x12'x8'
  - 1-2'x6'x9'
  - 1-1'x12'x14'
  - 3-1'x2'x12'
  - 1-1'x4'x4 1/2'
  - 1-1/2'x2'x8'
  - 1-3/8'x1/2'x10'
- 45 board feet shiplop  
(to cut 4'-2" and 2'-2")  
1 piece sheet iron 2'x6'-9"  
4 prs.-4" strip-hinges (heavy)  
Paint, 1/4 gal.  
Nails, 16d, 8d, 6d, 4d, 3d