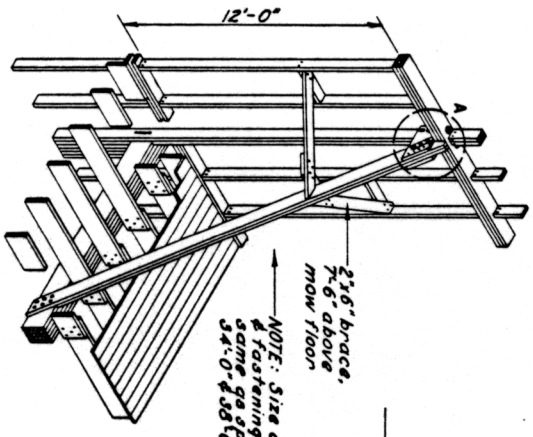
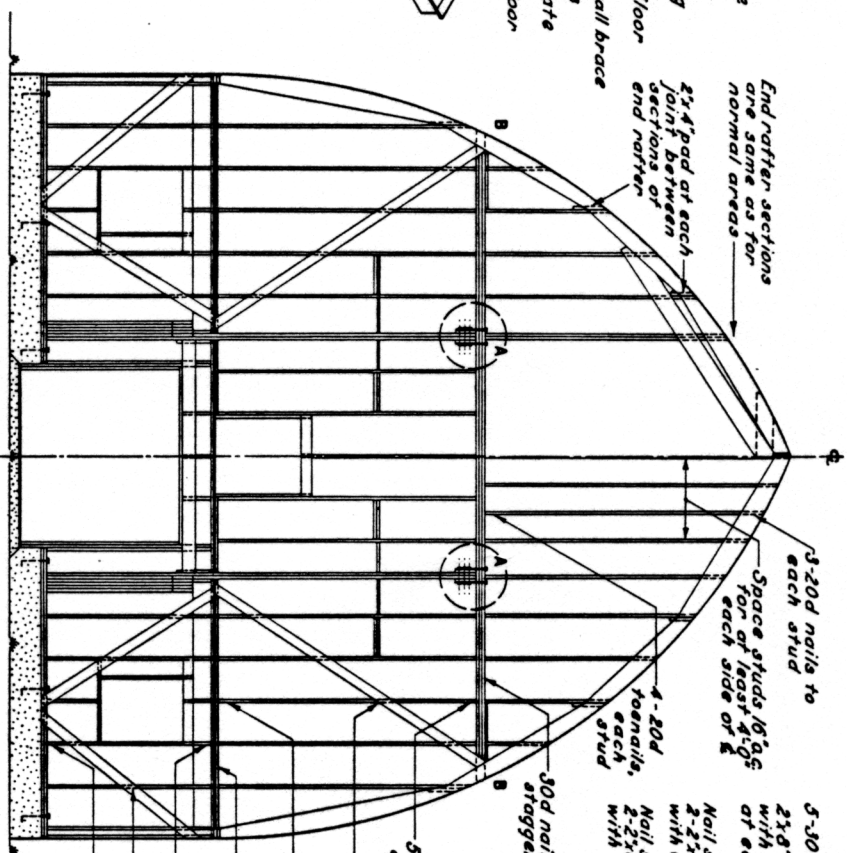


TYPICAL INSTALLATION  
(34'-0" & 36'-0" WIDTH BARN)

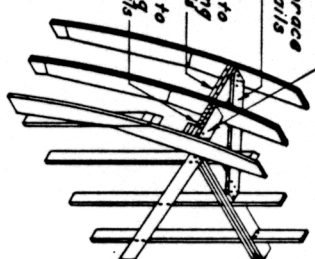


TYPICAL INSTALLATION  
(36'-0" WIDTH BARN)

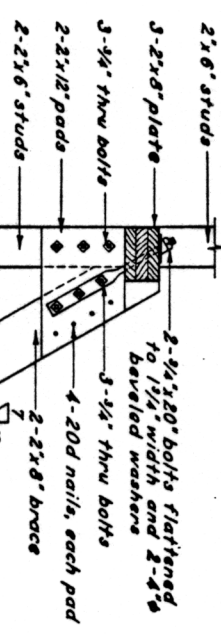
END WALL BRACE  
(4 REQUIRED)



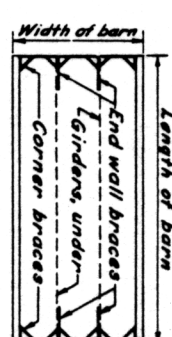
TYPICAL END WALL FRAMING



DETAIL B



DETAIL A



ARRANGEMENT DIAGRAM

COOPERATIVE EXTENSION WORK IN  
AGRICULTURE AND HOME ECONOMICS

UNITED STATES DEPARTMENT OF AGRICULTURE, COOPERATING  
AND  
END WALL BRACES-GOTHIC BARN  
HURRICANE AREAS  
U.S.D.A. 49 EX. 5850 SHEET 1 OF 1