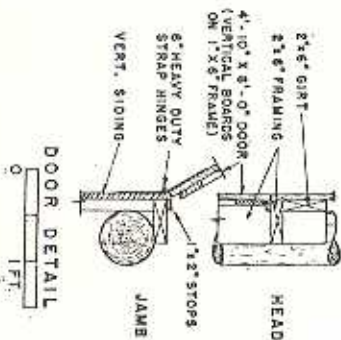
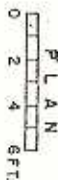
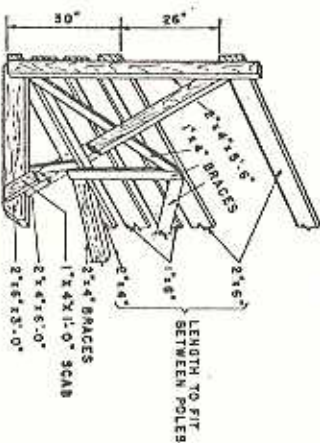


ISOMETRIC DETAIL OF
MOVABLE HAY FENCES



COOPERATIVE EXTENSION WORK IN
AGRICULTURE AND HOME ECONOMICS
DEPARTMENT OF AGRICULTURAL ENGINEERING
UNIVERSITY OF MARYLAND
AND MARYLAND COLLEGE OF AGRICULTURE
CATTLE BARN, POLE CONSTRUCTION
USDA 53 EX. 5754 SHEET 1 OF 3

