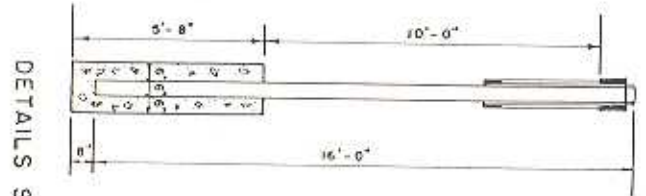
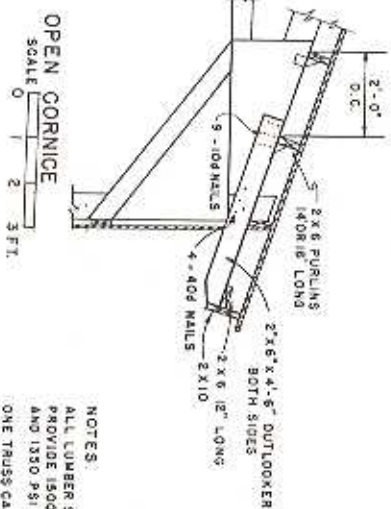
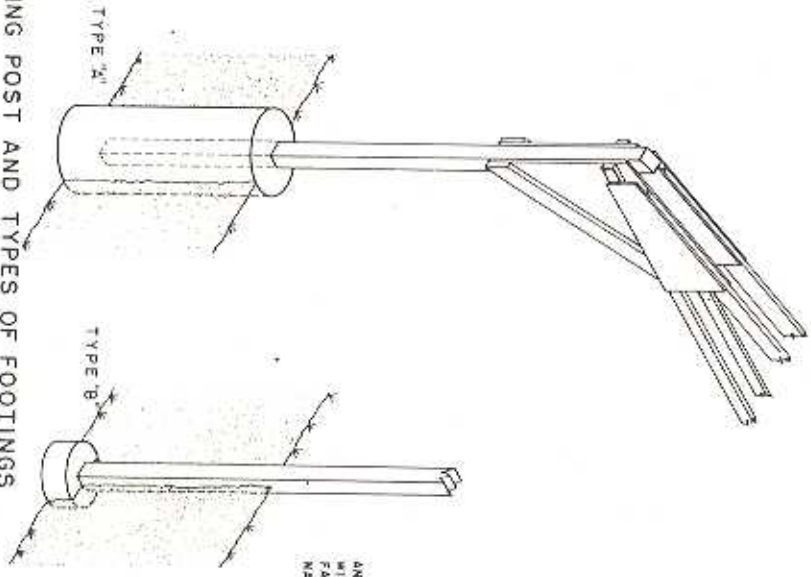


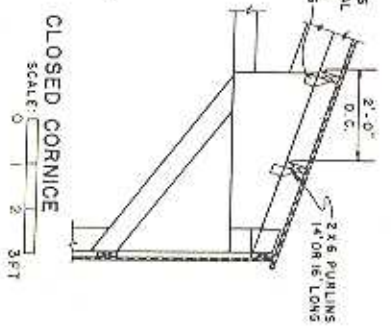
ELEVATION OF TRUSS
(NEAR SIDE)



DETAILS SHOWING POST AND TYPES OF FOOTINGS



OPEN CORNICE
SCALE 0 1 2 3 FT.



CLOSED CORNICE
SCALE 0 1 2 3 FT.

NOTES:
ALL LUMBER SHALL BE STRESS GRADED TO PROVIDE 1500 PSI FIBER STRESS IN BENDING, AND 1350 PSI IN COMPRESSION.
ONE TRUSS CAN SAFELY CARRY A LOAD OF 200 LB. PER FOOT OF SPAN.
DIMENSIONS OF MEMBERS SHOWN OTHER THAN POST ARE BASED ON THE USE OF DRESSED LUMBER.



COOPERATIVE EXTENSION WORK IN AGRICULTURE AND HOME ECONOMICS
DEPARTMENT OF AGRICULTURAL ENGINEERING
UNIVERSITY OF MARYLAND
UNITED STATES DEPARTMENT OF AGRICULTURE COOPERATING

40 FT. TRUSS
POLE TYPE CONSTRUCTION

ORE. 1963 EK. 5949 SHEET 1 OF 2