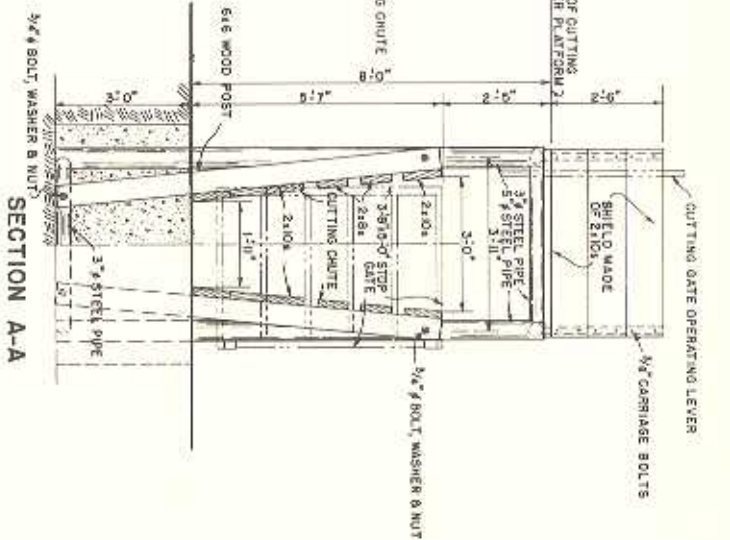
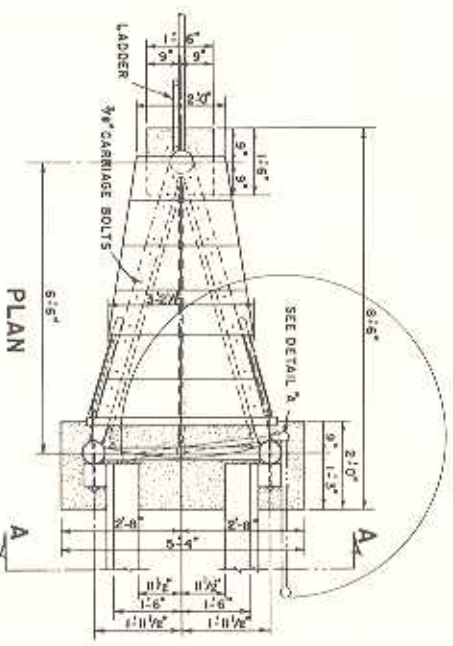


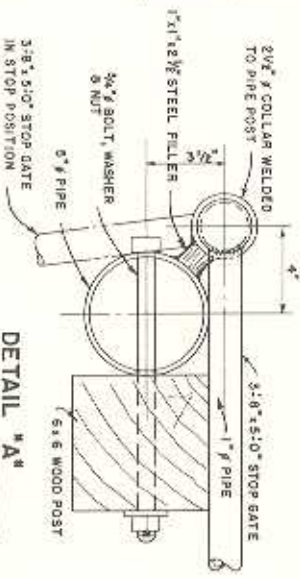
ELEVATION



SECTION A-A

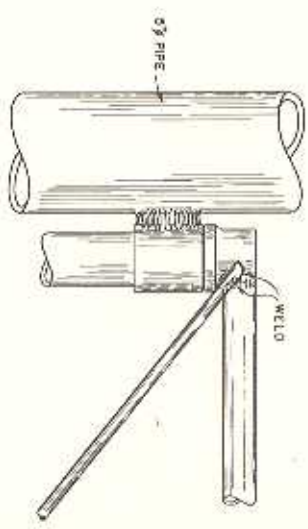
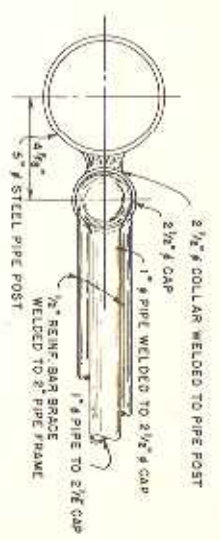


PLAN



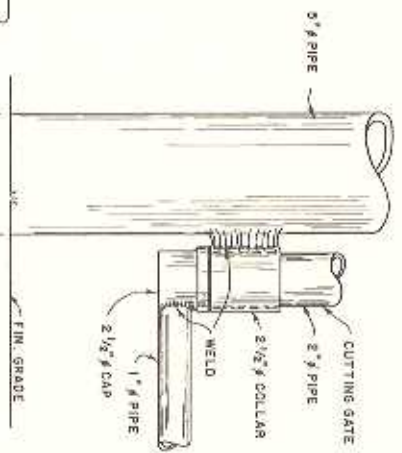
DETAIL "A"

SCALE: 0 2 4 6 IN.



DETAIL "B"

SCALE: 0 2 4 6 IN.



DETAIL "C"

SCALE: 0 2 4 6 IN.

SCALE: 0 2 3 FT. UNLESS OTHERWISE NOTED

COOPERATIVE EXTENSION WORK IN
 AGRICULTURE AND HOME ECONOMICS
 DEPARTMENT OF AGRICULTURAL ENGINEERING
 UNIVERSITY OF MARYLAND
 UNITED STATES DEPARTMENT OF AGRICULTURE, COOPERATING

CUTTING GATE,
 TOWER AND CHUTE

USDA '63 EX. 5959 SHEET 1 OF 1