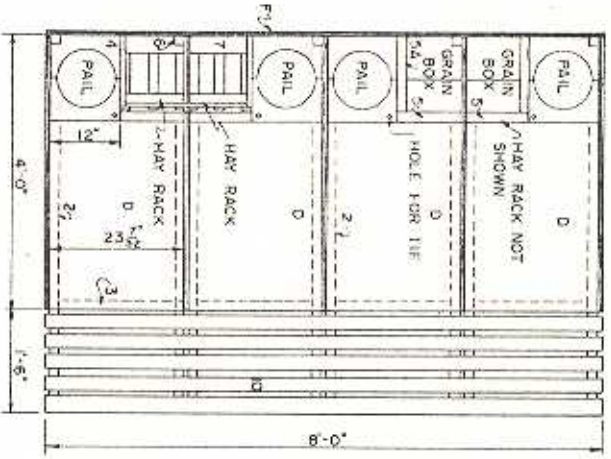


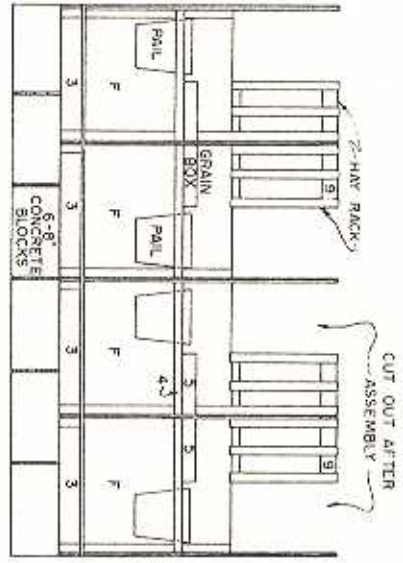
CROSS SECTION



PLAN VIEW

PARTS LIST

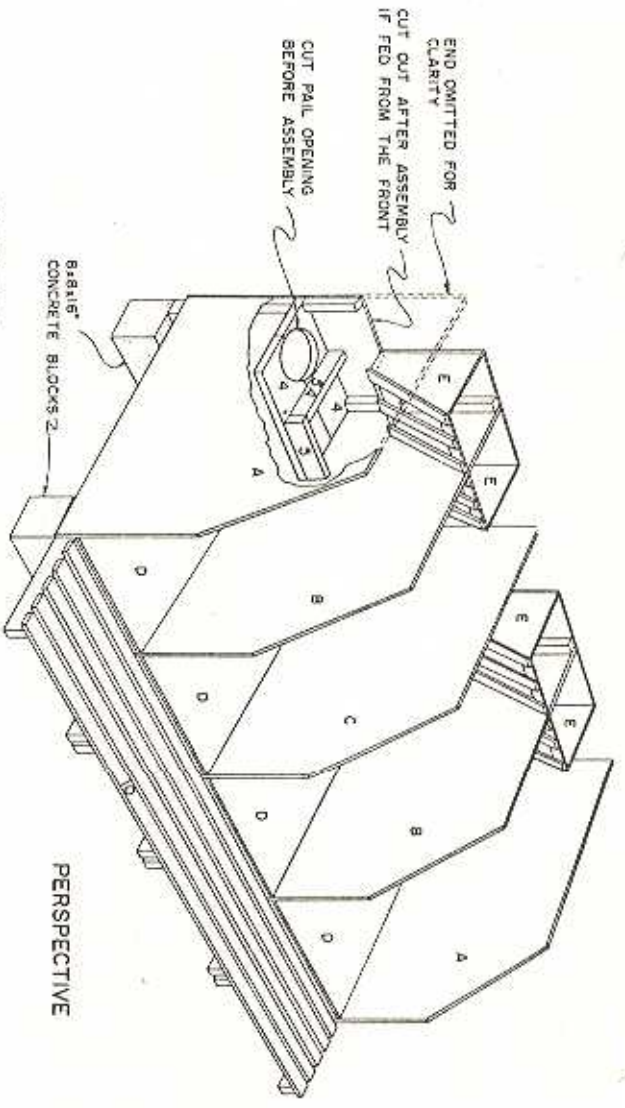
- | | | | | |
|----|-----------------------|----|-----|-----------|
| 1 | FRONT ELEVATION BLOCK | 1 | PC | 24x40'-0" |
| 2 | BED PIECES | 8 | PCS | 24x45'-8" |
| 3 | FILLER BLOCKS | 4 | PCS | 24x12'-0" |
| 4 | TRAY BOTTOM | 2 | PCS | 24x8'-0" |
| 5 | BOX EDGE | 4 | PCS | 24x12' |
| 5A | BOX EDGE | 4 | PCS | 24x14' |
| 6 | CORNER BLOCKS | 5 | PCS | 22x4'-0" |
| 7 | HAY RACK BOTTOM | 4 | PCS | 24x12' |
| 8 | HAY RACK SLATS | 12 | PCS | 12x22'-0" |
| 9 | HAY RACK TOP RAIL | 2 | PCS | 12x24' |
| 10 | REAR FLOOR SLATS | 5 | PCS | 12x8'-0" |



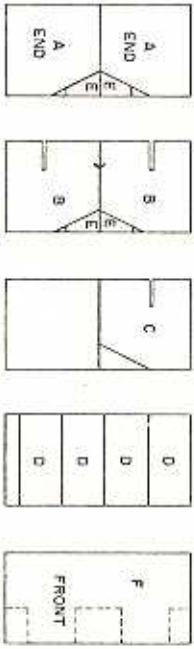
REAR VIEW

MATERIALS NEEDED FOR A SECTION OF FOUR STALLS

- | | | | |
|----|------------|---------------------------|--------------------------------|
| 0 | PCS | 24x412'-0" | FOR PART NUMBER 1, 2, 3, 5A, 7 |
| 2 | PCS | 24x8'-0" | FOR PART NUMBER 4 |
| 44 | LINEAR FT. | 1x3 | FOR PART NUMBER 9, 10 |
| 12 | SHEETS | 4x8 PLYWOOD, 3/8" | EXTERIOR CUT AS IN DIAGRAMS |
| 12 | SHEETS | CONCRETE BLOCKS | FOR BASE |
| | | PORTLAND CEMENT MORTAR | |
| | | RUSTPROOF NAILS OR SCREWS | |
| 1 | PC | 24x12'-0" | FOR PART NUMBER 5 |
| 1 | PC | 24x8'-0" | FOR PART NUMBER 6 |
| 20 | LINEAR FT. | 1x2 | FOR PART NUMBER 8 |



PERSPECTIVE



PLYWOOD CUTTING DIAGRAM
SCALE: 0 2 4 6 FT.

NOTE: SCALE: 3/4"=1'-0" UNLESS OTHERWISE NOTED.

COOPERATIVE EXTENSION WORK IN AGRICULTURE AND HOME ECONOMICS
DEPARTMENT OF AGRICULTURAL ENGINEERING
UNIVERSITY OF MARYLAND

NOTE: MEASUREMENTS OF SOME PARTS ARE NOT DEFINITE. DIMENSION LUMBER VARIES SLIGHTLY IN SIZE, SO PIECES MUST BE CUT TO FIT.