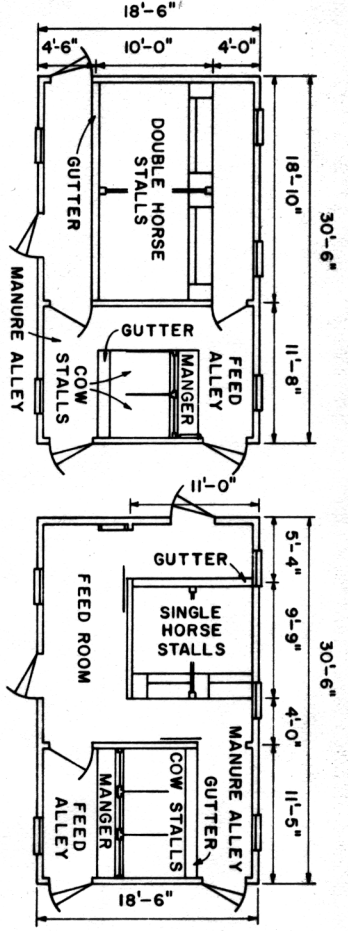


PLAN

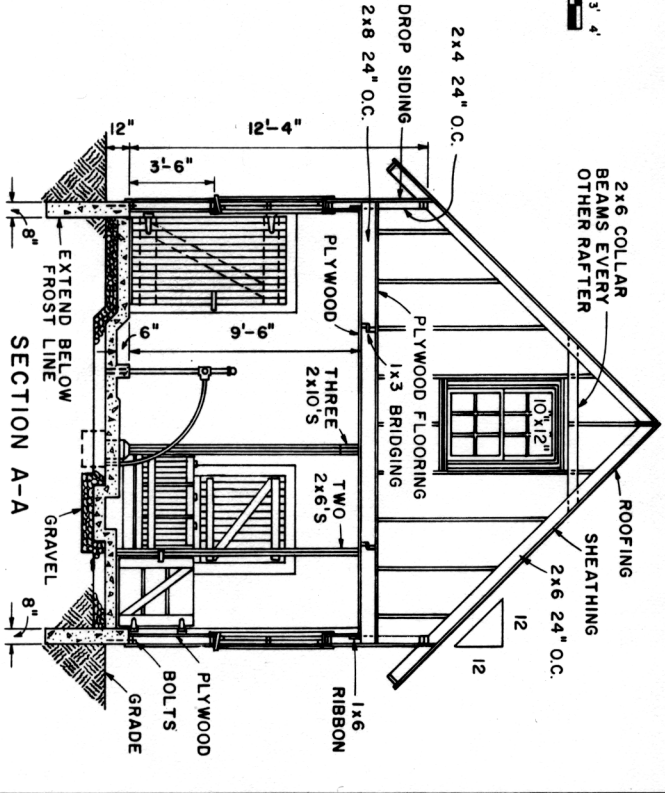
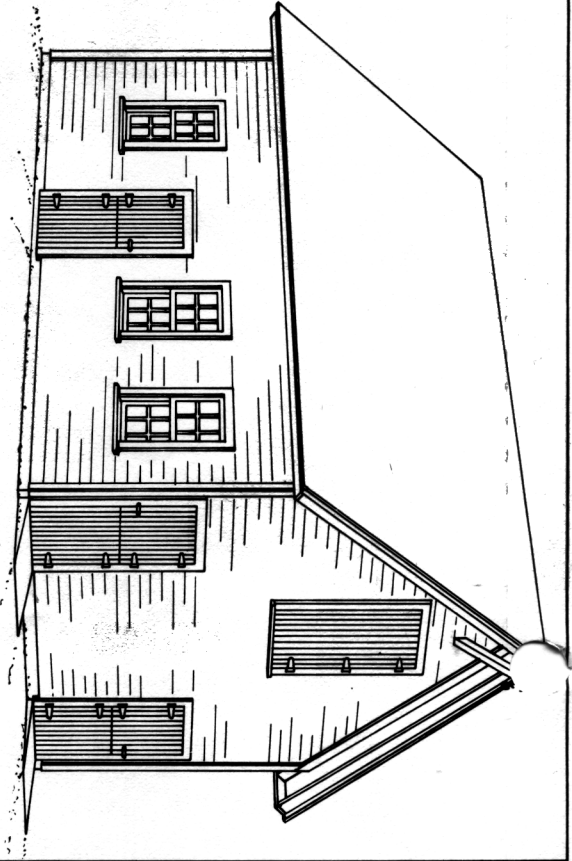


ALTERNATE PLANS

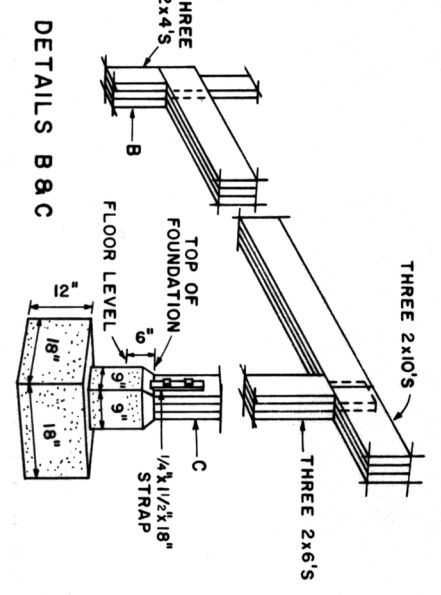
SCALE: 1/8"=1'-0"

NOTE: CONSULT LOCAL BUILDING CODE AUTHORITIES BEFORE STARTING CONSTRUCTION.

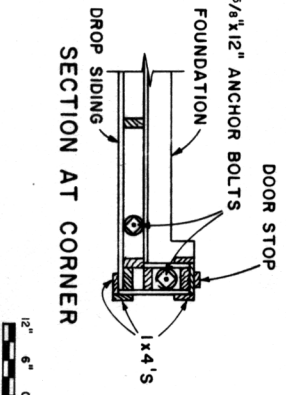
PERSPECTIVE



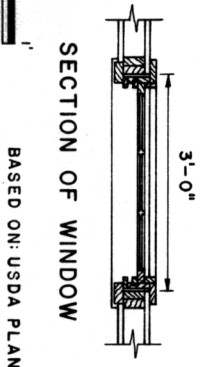
SECTION A-A



DETAILS B & C



SECTION AT CORNER



SECTION OF WINDOW

BASED ON: USDA PLAN NO. 5021