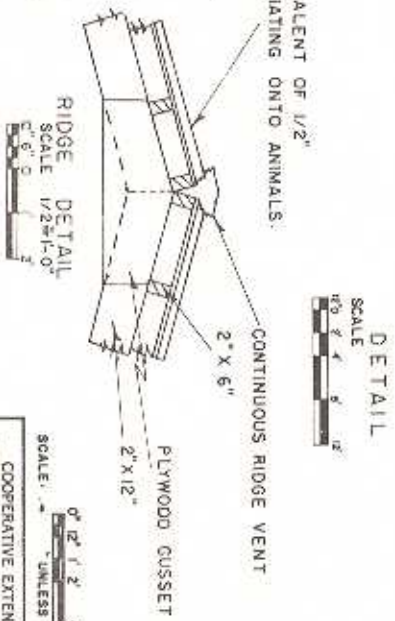
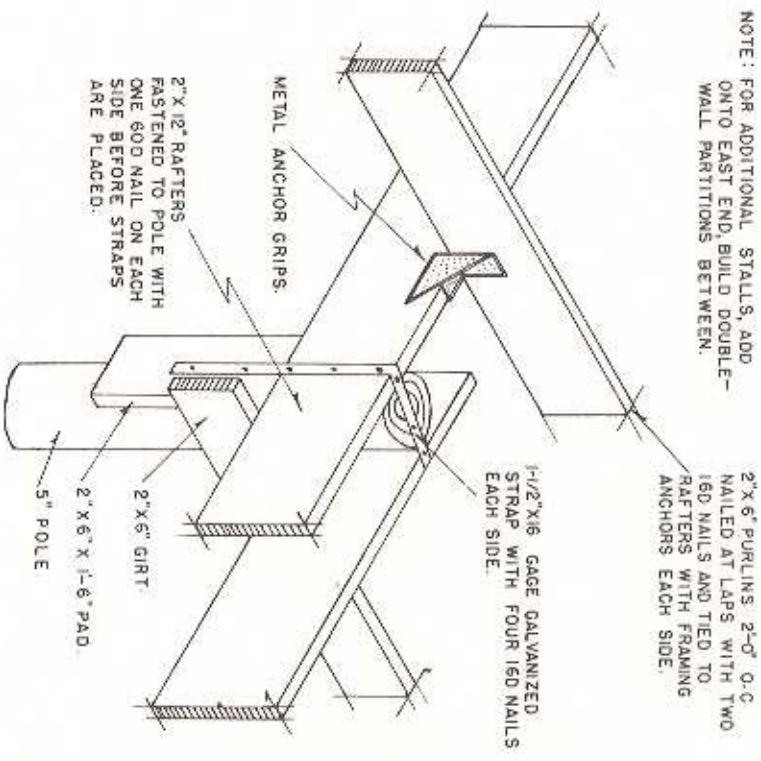


26 GAGE GALVANIZED METAL
USE WHITE ROOF COATING ON TOP AND EQUIVALENT OF 1/2" STYROFOAM UNDER TIN TO REDUCE HEAT RADIATING ONTO ANIMALS.



SCALE: 1/2" = 1'-0" UNLESS OTHERWISE NOTED

COOPERATIVE EXTENSION WORK IN AGRICULTURE AND HOME ECONOMICS

UNIVERSITY OF CALIFORNIA, DIVISION OF AGRICULTURE AND NATURAL RESOURCES
AND
HORSING BARN FOR HOT CLIMATE
LA. '81 6337 SHEET 1 OF 2

NOTE: DESIGN FOR TIMBER OF MINIMUM STRENGTH F = 1500 PSI

BASED ON: L.S.U. AND A.B.M. COLLEGE PLAN No. 58-4

NOTE: FOR ADDITIONAL STALLS, ADD ONTO EAST END, BUILD DOUBLE-WALL PARTITIONS BETWEEN.

2" x 6" PURLINS 2'-0" O.C. NAILED AT LAPS WITH TWO 16D NAILS AND TIED TO RAFTERS WITH FRAMING ANCHORS EACH SIDE.