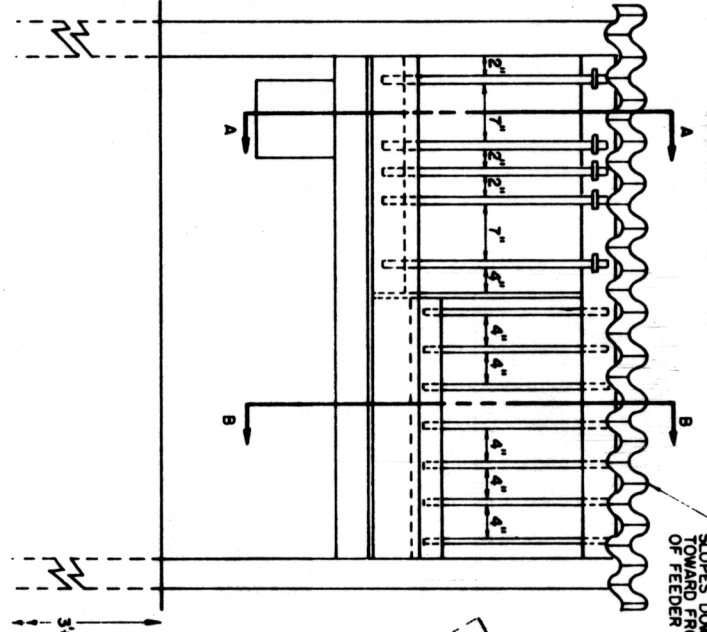
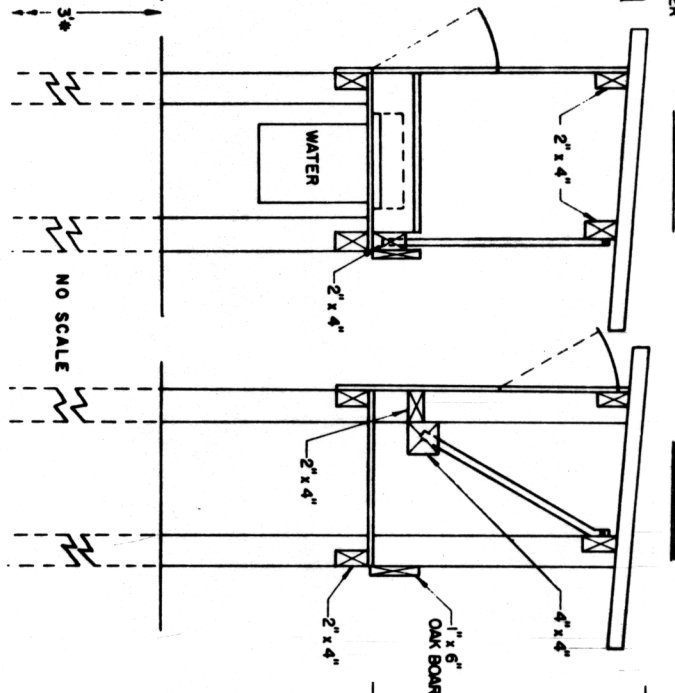


**FRONT VIEW OF FEEDER**

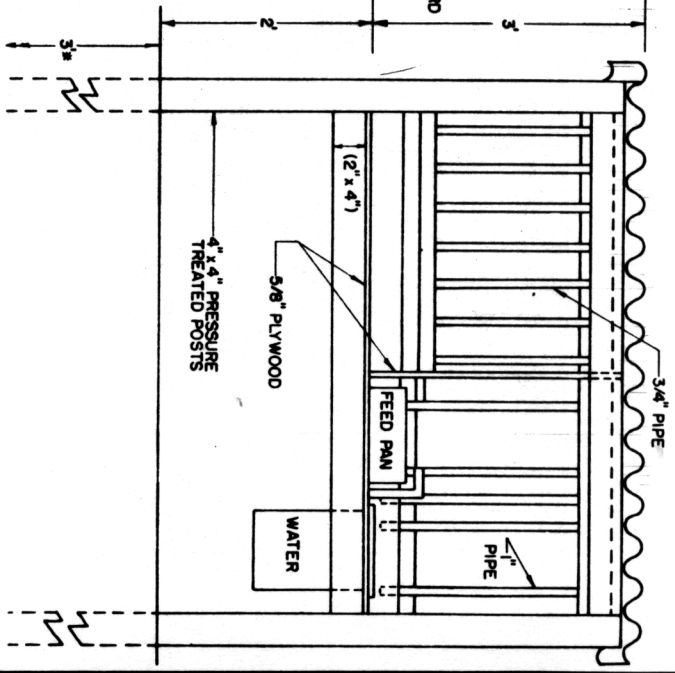


CORRUGATED ROOF  
SLOPES DOWN  
TOWARD FRONT  
OF FEEDER

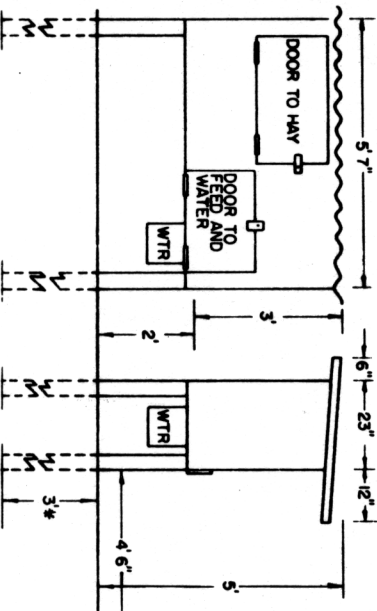
**SECTION A-A**



**SECTION B-B**

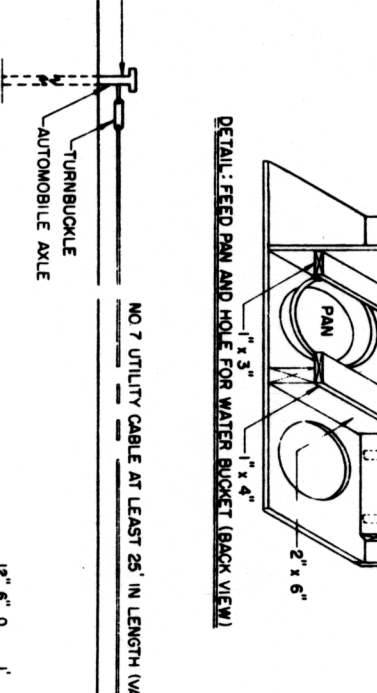


**BACK VIEW OF FEEDER (REAR COVERING OMITTED FOR CLARITY)**



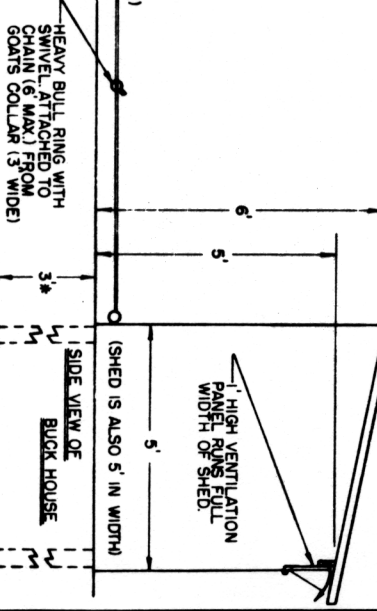
**BACK VIEW OF FEEDER**

**SIDE VIEW OF FEEDER**



**DETAIL: FEED PAN AND HOLE FOR WATER BUCKET (BACK VIEW)**

SCALE



BUCK HOUSE ENCLOSED  
SIDES WITH AIR TIGHT  
SLABWOOD, SLABWOOD,  
OR EQUIVALENT

**FEEDER: BACK AND SIDES ARE ENCLOSED WITH 5/8" PLYWOOD**

**NOTES: ALL EXPOSED WOOD EDGES SHOULD BE COVERED WITH PROTECTIVE METAL OR HARDWARE CLOTH**

**USE PIPE CLAMPS OR TINNERS TAPE TO ATTACH TOP ENDS OF PIPE ALONG HAY RACK AND FEED AREA.**

**\* DEPTH OF SUPPORT POSTS SHOULD BE 3" MINIMUM OR BELOW THE FROST LINE**

**NOTE: CONSULT LOCAL HEALTH AND BUILDING CODE AUTHORITIES BEFORE STARTING CONSTRUCTION**

**BASED ON: PENN. STATE UNIV. PLAN NO. 728-392**

COOPERATIVE EXTENSION WORK IN  
AGRICULTURE AND HOME ECONOMICS

UNITED STATES DEPARTMENT OF AGRICULTURE COOPERATING  
AND  
BUCK GOAT YARD

PA. '78 6300 SHEET 1 OF 1