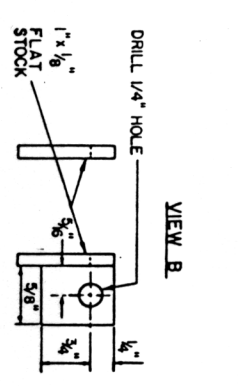
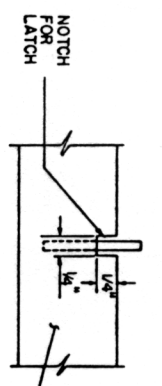
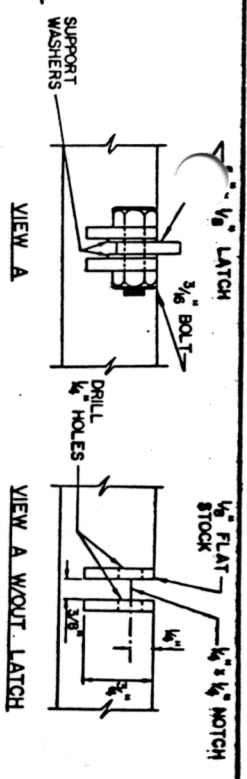
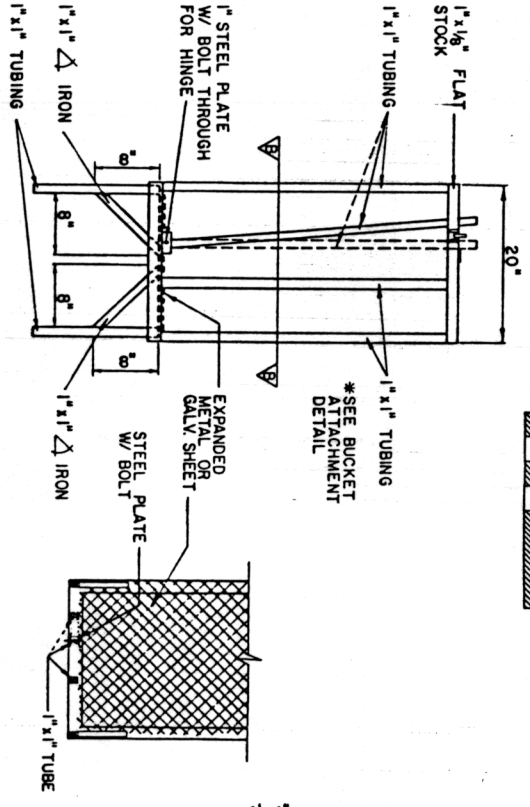
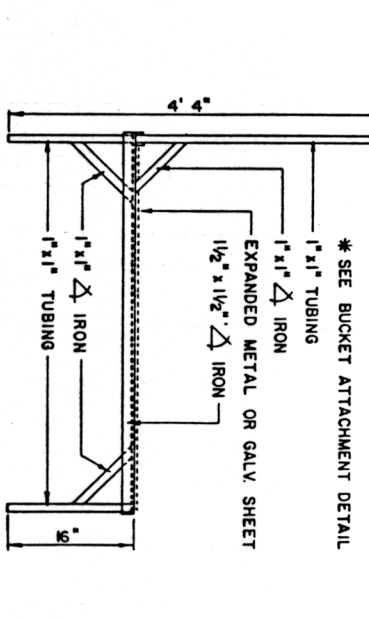
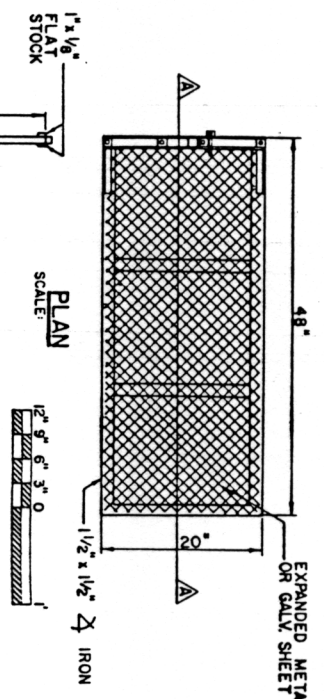


- 1) ALL CONNECTIONS ARE TO BE WELDED.
 2) RUBBER MATTING MAY BE USED OVER METAL FLOORING.
 3) DIMENSIONAL INFORMATION FOR BUCKET ATTACHMENT WILL VARY DUE TO TYPE/SIZE OF BUCKET USED.



LATCH MECHANISM DETAIL
 FULL SCALE

