

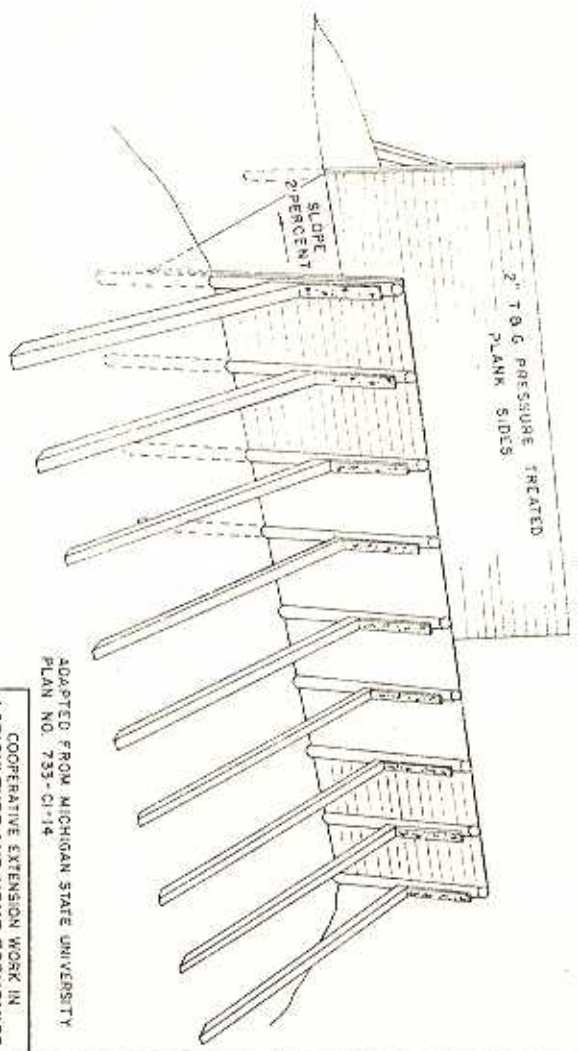
CROSS SECTION OF SILO

NOTES

1. CAPACITY IS BASED ON 40 POUNDS PER CUBIC FOOT
2. A GAIRY USE RATE OF 4" OF SILAGE IS RECOMMENDED IN WARM WEATHER TO KEEP SILAGE FRESH
3. ALL CONCRETE SHOULD CONTAIN 40% SAND 60% GRAVEL AND NOT MORE THAN 6 GALLONS OF WATER PER SACK OF CEMENT
4. ALL WOOD SHOULD BE PRESSURE TREATED WITH 6 POUND RETENTION PER CUBIC FOOT OF WOOD
5. STAGGER JOINTS IN THE CENTER AND END MATCHED SIDING
6. BE SURE TO SET GRADE SO WATER WILL DRAIN AWAY FROM SILO
7. USE RUST PROOF 16d NAILS FOR THE SIDING

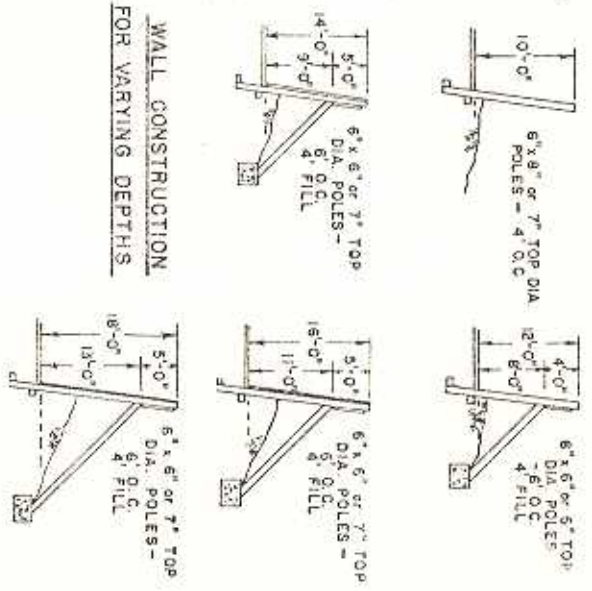
**BUNKER SILO CAPACITIES
TONS/FOOT OF LENGTH**

DEPTH	WIDTH					
	30'	40'	50'	60'	70'	80'
6	5	6.0	8.1	10.0	11.5	13.0
10	8.2	9.4	10.2	12.2	14.2	16.2
12	7.5	10.0	12.3	14.6	17.0	20.0
14	8.7	11.5	14.3	17.0	20.0	22.7
16	10.0	13.1	16.3	20.0	22.7	26.0
18	11.1	14.7	18.3	22.0	24.6	28.1



PERSPECTIVE

**WALL CONSTRUCTION
FOR VARYING DEPTHS**



ADAPTED FROM MICHIGAN STATE UNIVERSITY
PLAN NO. 733-C1-14

COOPERATIVE EXTENSION WORK IN
AGRICULTURE AND HOME ECONOMICS
DEPARTMENT OF AGRICULTURAL ENGINEERING
UNIVERSITY OF MARYLAND
AND
UNITED STATES DEPARTMENT OF AGRICULTURE COOPERATING

WOOD BUNKER SILO

WICH-28 '71 6109 SHEET 1 OF 1