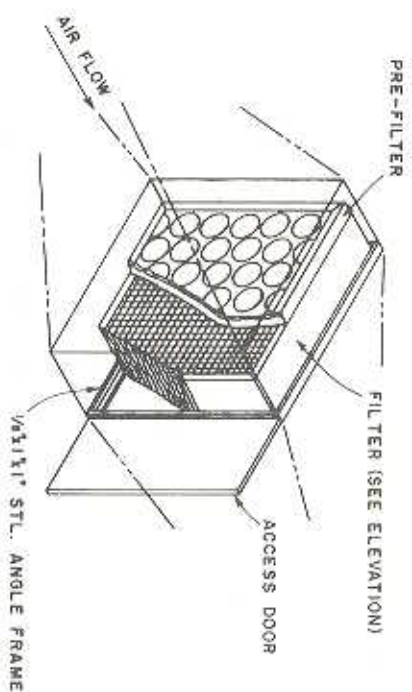
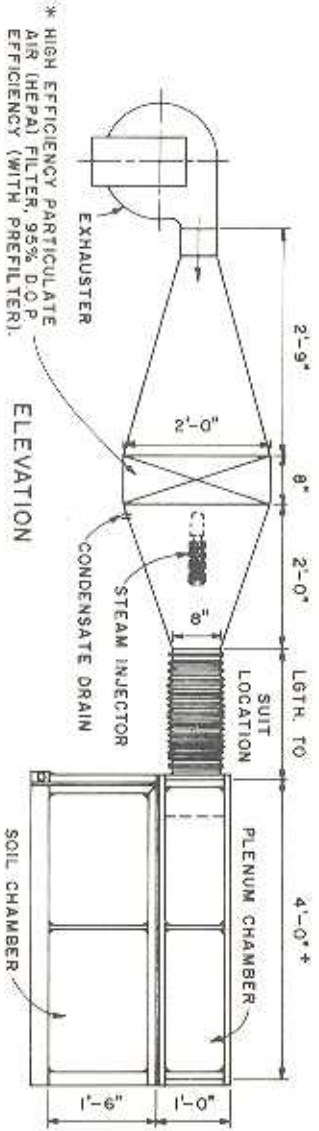
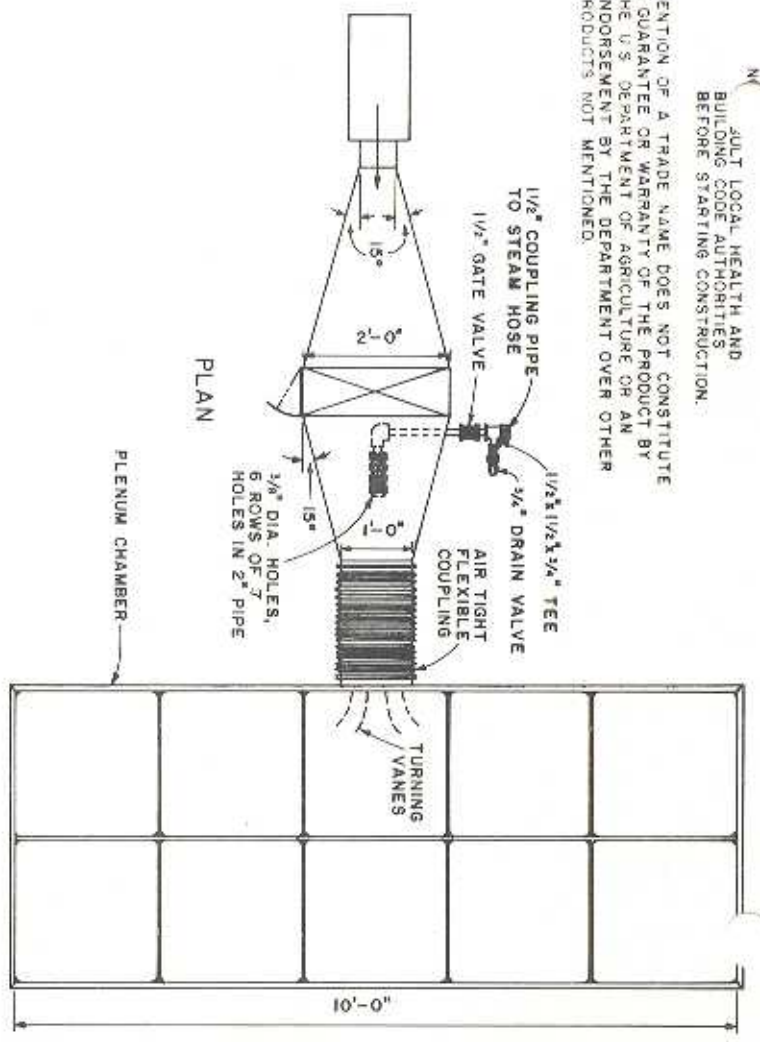


PARTIAL ISOMETRIC  
NO SCALE



FILTER DETAIL  
SCALE: 1"=1'-0"  
1/2" 3/4" 1" 2"

MENTION OF A TRADE NAME DOES NOT CONSTITUTE A GUARANTEE OR WARRANTY OF THE PRODUCT BY THE U.S. DEPARTMENT OF AGRICULTURE OR AN ENDORSEMENT BY THE DEPARTMENT OVER OTHER PRODUCTS NOT MENTIONED.



\* HIGH EFFICIENCY PARTICULATE AIR (HEPA) FILTER, 95% D.O.P. EFFICIENCY (WITH PREFILTER).

GUIDE TO BLOWER SELECTION

BLOWER	MATERIAL
CAPACITY (C.F.M.)	STATIC PRESSURE (IN. OF WATER)
450	15
800	15
675	20
700	10

\* FOR RESEARCH PURPOSES USE ABSOLUTE FILTER. MATCH FILTER & BLOWER CAPACITIES.

BASED ON: PENN. STATE UNIV. PLAN B22-372

SCALE: 3/4"=1'-0" UNLESS OTHERWISE NOTED

COOPERATIVE EXTENSION WORK IN AGRICULTURE AND HOME ECONOMICS

UNITED STATES DEPARTMENT OF AGRICULTURE COOPERATING AND

SOIL TREATING SYSTEM

6198 SHEET 1 OF 3