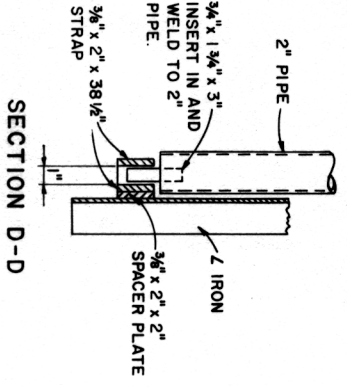
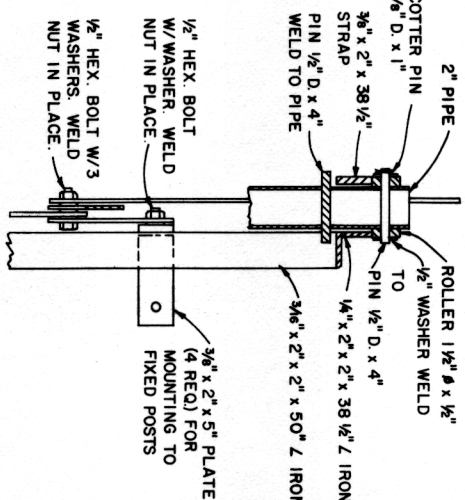
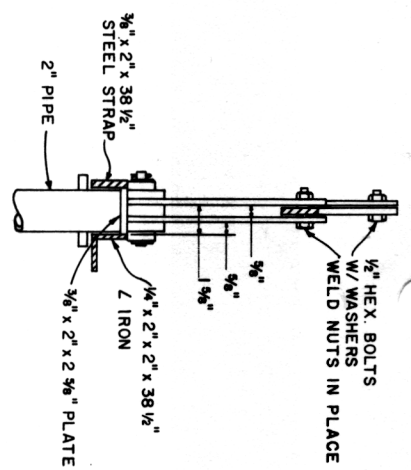


NOTES:
 1. ALL SCISSOR ACTION JOINTS TO BE ASSEMBLED AS SHOWN IN SECTION C-C.
 2. 1/2 x 2" ORILL-ALL HOLES UNLESS OTHERWISE NOTED.
 3. FASTEN MOVABLE PARTS WITH 1/2" D. PINS OR 1/2" BOLTS AND NUTS WHERE INDICATED. FIX FASTENERS IN PLACE BY WELDING.
 4. ATTACH HEADGATE AT 4 PLACES TO FIXED POSTS. MOUNTING PLATES ON HEADGATE ARE SPACED 35 1/8" C. TO C.



ELEVATION

SECTION A-A

SECTION B-B

SECTION C-C

SECTION D-D

BASED ON: W. VA. UNIV. PLAN NO. BE-155

UNITED STATES DEPARTMENT OF AGRICULTURE COOPERATING AND		
COOPERATIVE EXTENSION WORK IN AGRICULTURE AND HOME ECONOMICS		
MOVABLE HEADGATE		
W. VA. 77	6272	SHEET 1 OF 1