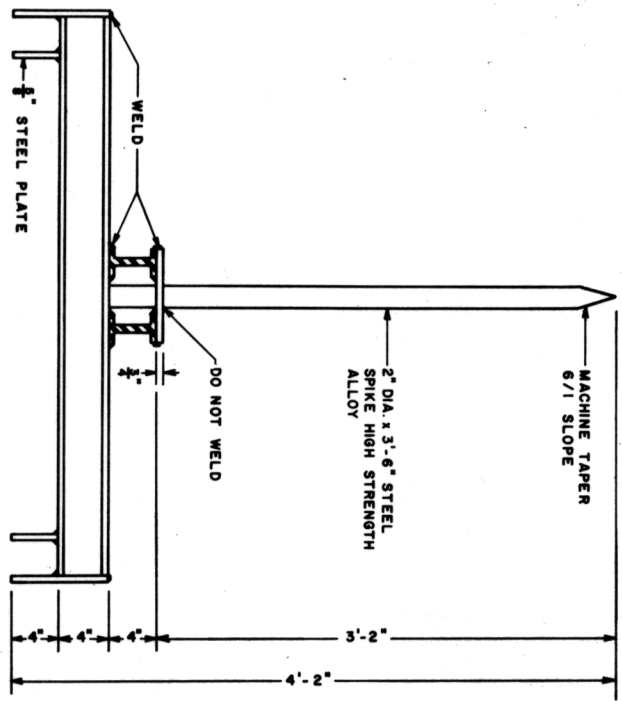
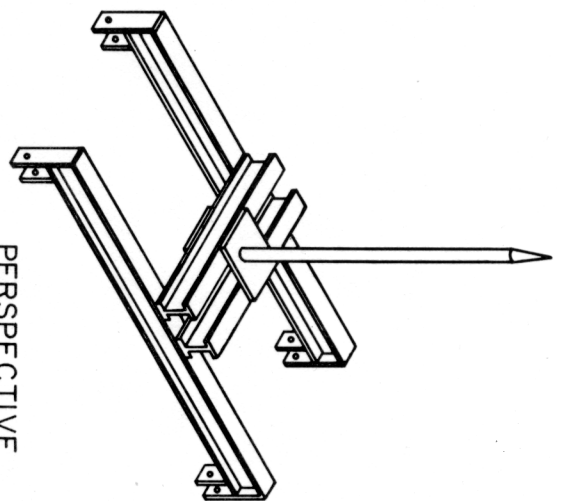


PLAN

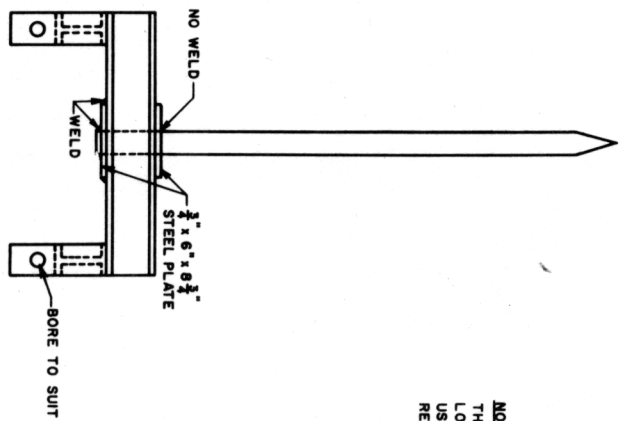


SIDE ELEVATION



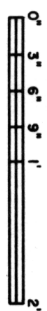
PERSPECTIVE

NOT TO SCALE



END ELEVATION

NOTE.
THIS HAY SPIKE SUITABLE FOR FRONT END LOADERS WITH TWO (2) ACTUATORS ONLY. USE WITH SINGLE ACTUATOR LOADER MAY RESULT IN DAMAGE TO LOADER.



NOTE: BASE ON UNIV. OF FLA PLAN NO. 926

COOPERATIVE EXTENSION WORK IN AGRICULTURE AND HOME ECONOMICS		
UNITED STATES DEPARTMENT OF AGRICULTURE COOPERATING		
AND		
HAY SPIKE		
EX. 6329	SHEET 1 OF 1	