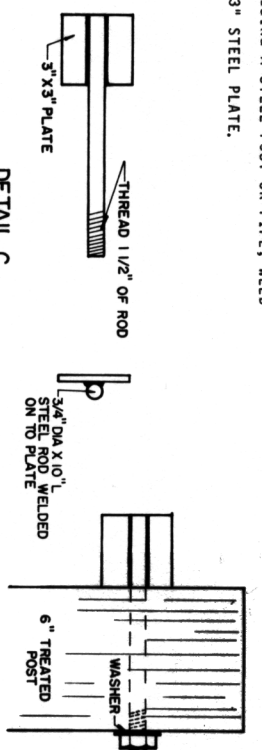
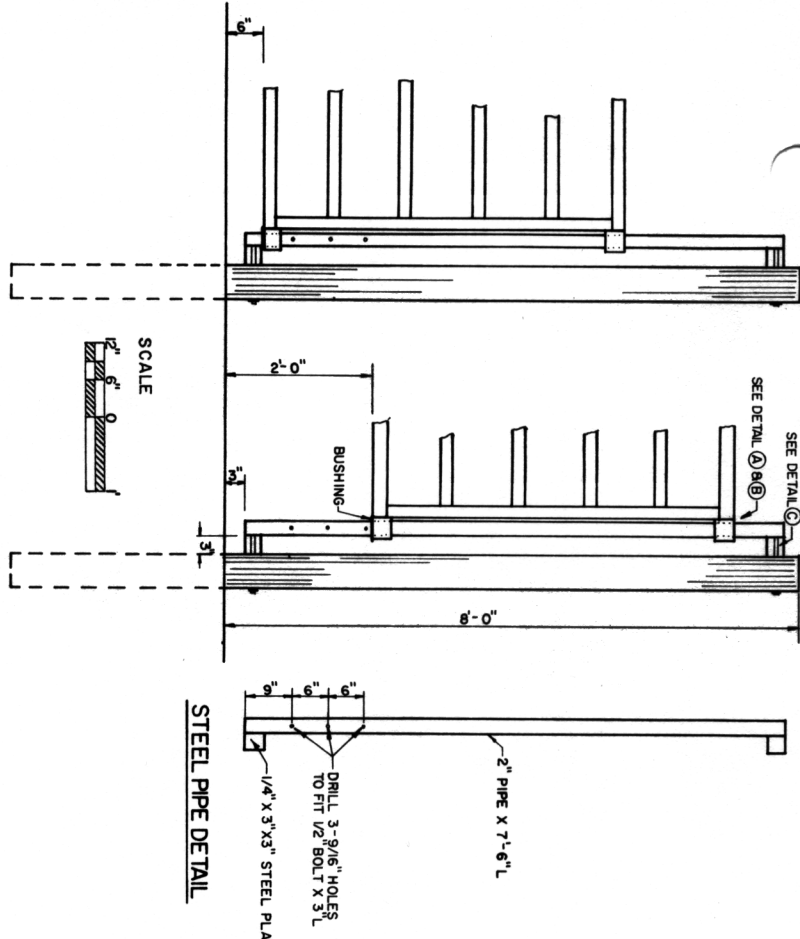
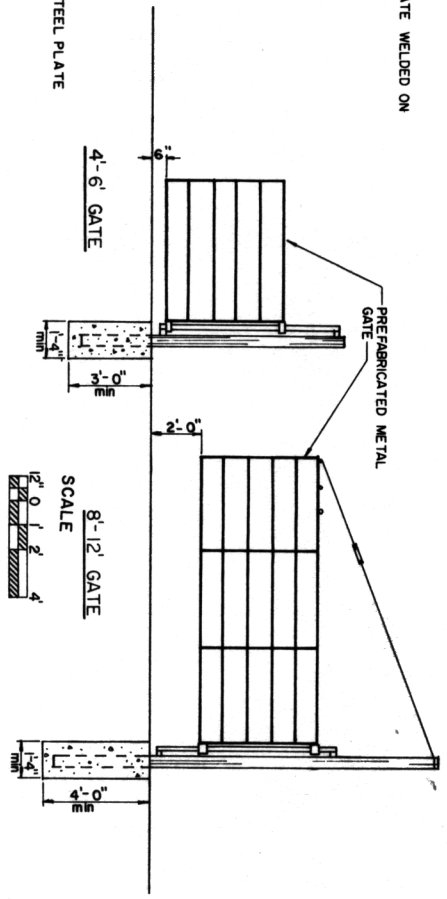
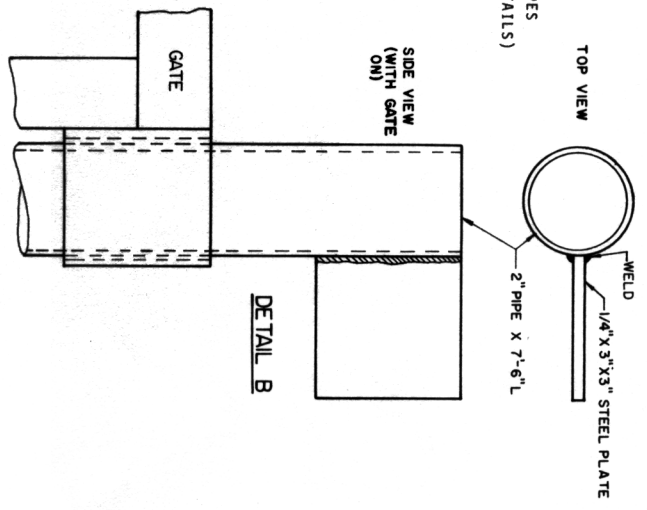
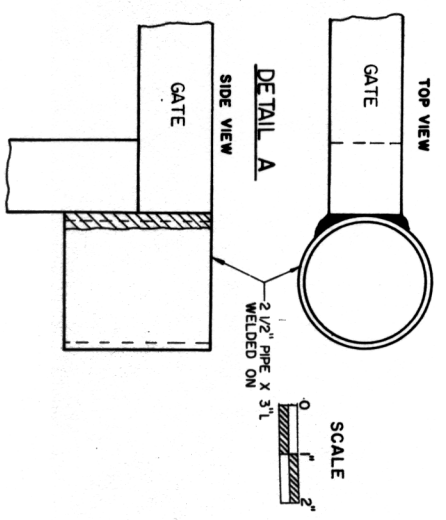


NOTE: IF USING A 6 x 6 OR 6" DIA. TREATED POST, FOLLOW DETAIL C. OTHERWISE, IF USING A STEEL POST OR PIPE, WELD THE 3/4" x 3" x 3" STEEL PLATE.



- NOTE: FOLLOW THESE ASSEMBLY STEPS.
1. WELD 2 1/3" x 3" L. PIPES ON GATE (DETAIL A)
  2. INSERT 2" x 7'-6" PIPE INTO THE 2 1/2" x 3" PIPES
  3. WELD 1/4" x 3" x 3" STEEL PLATE TO 2" PIPE (DETAILS)



THIS SNOW AND MANURE GATE CAN BE USED IN CATTLE CORRALS, FEEDLOTS OR ANYWHERE ON THE FARM. IT CAN BE EFFECTIVELY USED IN WIDTHS OF 4 TO 12 FEET. THE GATE CAN BE LIFTED TO VARIOUS POSITIONS ON THE GATE HINGE BAR BY MOVING THE 1/2 INCH BOLT POSITION INTO DIFFERENT BORED HOLES IN THE HINGE BAR WHICH IS MADE OF 2 INCH STANDARD STEEL PIPE. HOLES ARE 9/16 INCH IN DIAMETER AND SPACED 6 INCHES APART. IT IS SUGGESTED THAT FOR GATES UNDER 8 FEET IN LENGTH THE GATE POST BE AT LEAST 3 FEET ABOVE GROUND LEVEL. THE POST SHOULD BE PLACED AT LEAST 3 FEET IN THE GROUND DEPENDING ON SOIL CONDITIONS. FOR GATES 8 TO 12 FEET LONG, 4 FEET IN THE GROUND WILL BE NECESSARY. POUR CONCRETE AROUND THE POST. HOLE DIAMETER SHOULD BE AT LEAST 8 TO 10 INCHES LARGER THAN THE POLE DIAMETER. USE A 6" X 6" OR 6 INCH DIAMETER TREATED WOOD POST OR 6 INCH DIAMETER STANDARD STEEL PIPE POST. FOR WIDER GATES (8-12 FEET), THE GATE POST SHOULD EXTEND 12 FEET ABOVE THE GROUND LEVEL SO THAT A STEEL CABLE WITH A TURN BUCKLE CAN BE USED TO ADJUST GATE LEVEL FOR EASIER OPERATION.

COOPERATIVE EXTENSION SERVICE  
AGRICULTURE AND HOME ECONOMICS

UNITED STATES DEPARTMENT OF AGRICULTURE COOPERATING

VARIABLE CLEARANCE GATE

OR '84 6365 SHEET 1 OF 1