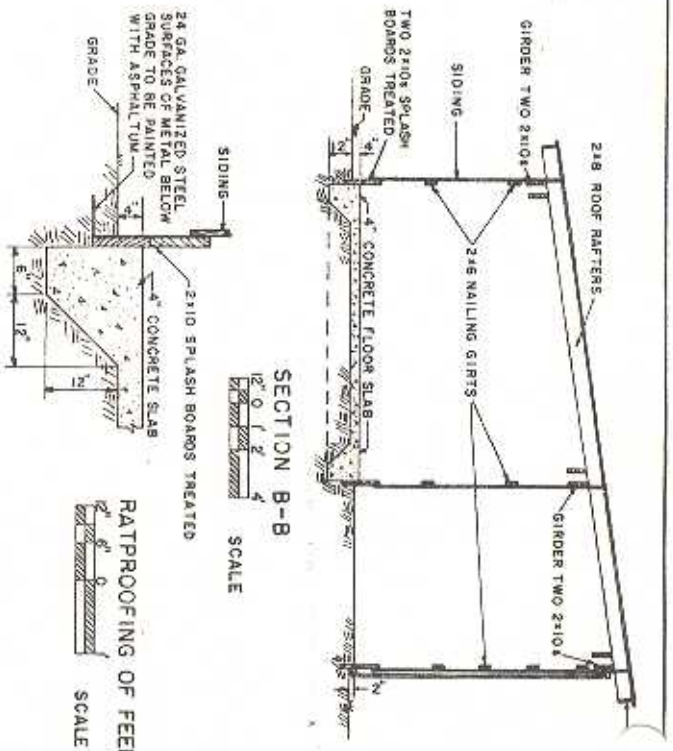


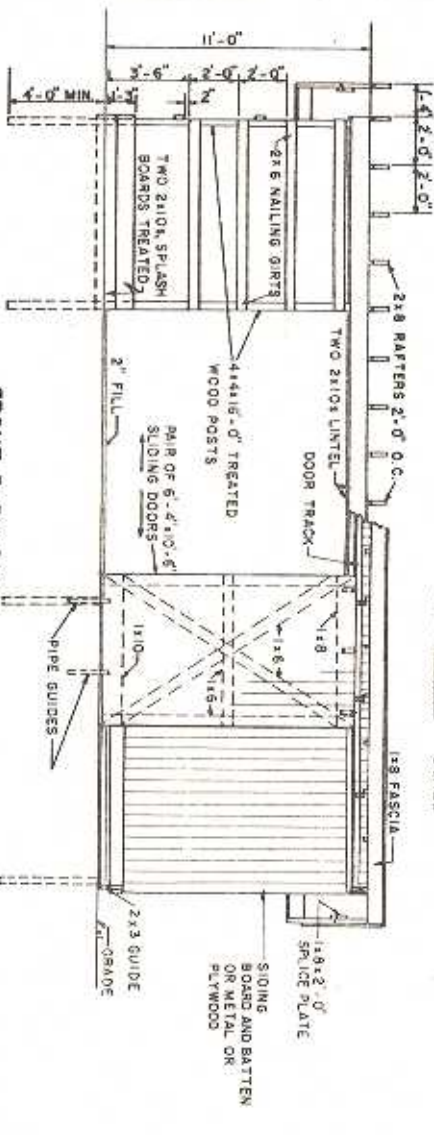
FLOOR PLAN  
SCALE



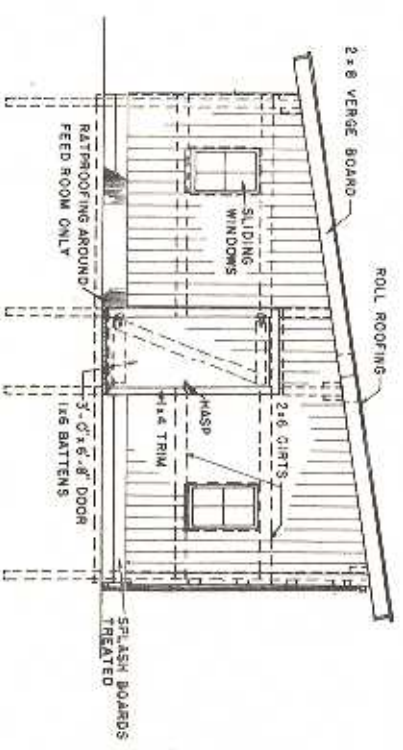
SECTION B-B  
SCALE



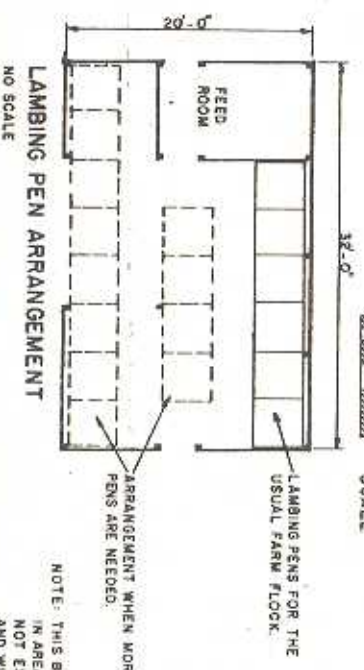
RATPROOFING OF FEED ROOM  
SCALE



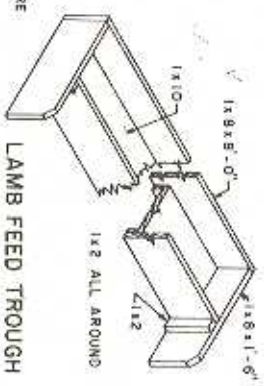
FRONT ELEVATION  
SCALE



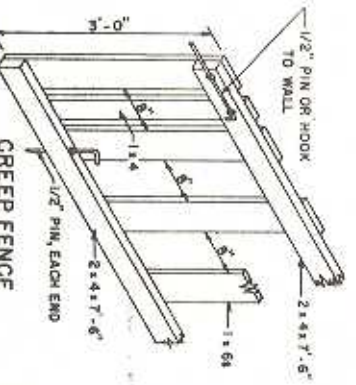
END ELEVATION  
SCALE



LAMBING PEN ARRANGEMENT  
NO SCALE



LAMB FEED TROUGH  
NO SCALE



CREEP FENCE  
NO SCALE

COOPERATIVE EXTENSION SERVICE  
AGRICULTURE AND HOME ECONOMICS  
UNITED STATES DEPARTMENT OF AGRICULTURE COOPERATING  
SHEEP AND LAMBING SHED  
USDA 61 5919 SHEET 1 OF 2  
REVISED '84

NOTE: THIS BUILDING IS DESIGNED FOR USE  
IN AREAS WHERE THE SNOW LOAD DOES  
NOT EXCEED 35 LBS. PER SQUARE FOOT  
AND WINDS ARE NOT ABOVE 76 MILES PER HOUR.

ARRANGEMENT WHEN MORE  
PENS ARE NEEDED.

LAMBING PENS FOR THE  
USUAL FARM FLOCK.

BOARD AND BATTEN  
OR METAL OR  
PLYWOOD

1x8 x 2'-0"  
SPRUCE PLATING

2x3 GUIDE

PIPE GUIDES

SCALE

SCALE

SCALE

SCALE

ASCIA