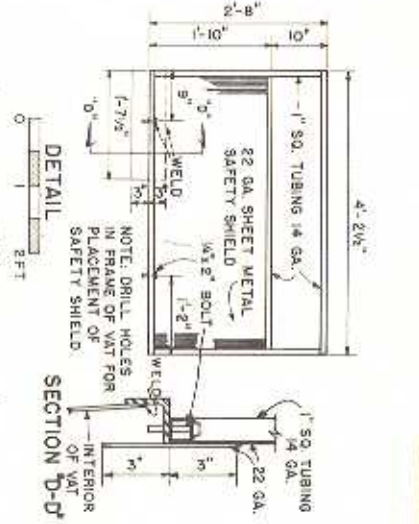
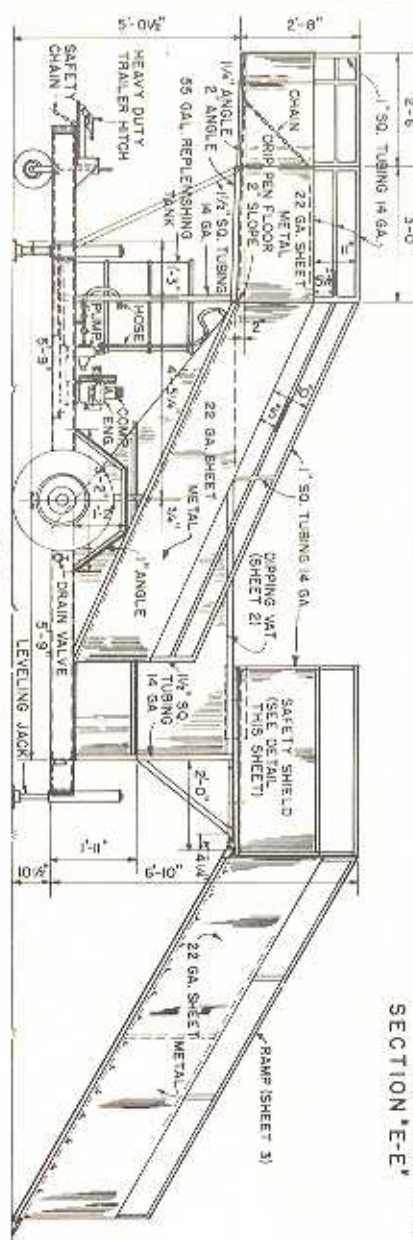


PLAN

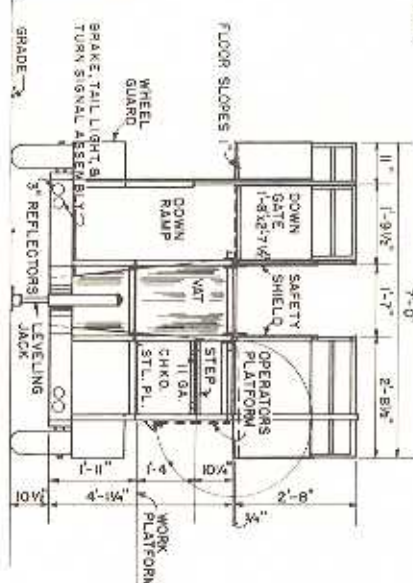
SECTION E-E



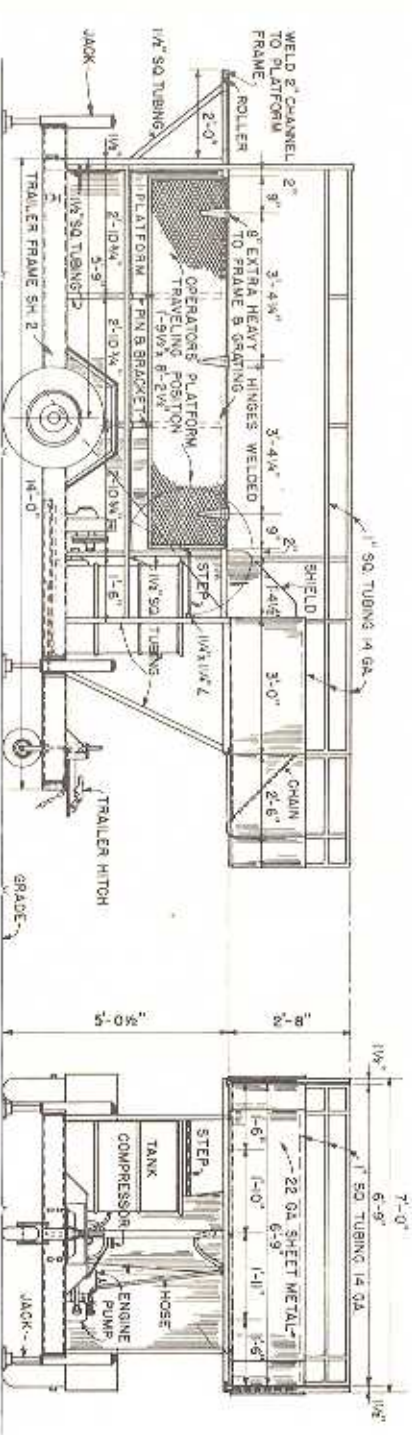
SECTION D-D



LEFT SIDE ELEVATION

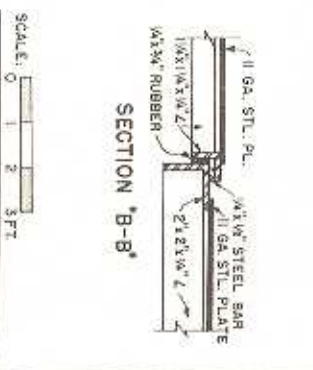


REAR ELEVATION  
(UP RAMP NOT SHOWN)



RIGHT SIDE ELEVATION  
(UP RAMP NOT SHOWN)

FRONT ELEVATION



SECTION B-B



NOTE: DEVELOPED AND BUILT BY TECHNICAL SERVICES  
ANIMAL HEALTH DIVISION, ARS, USDA, THRU  
MODIFICATION OF PERL, ET AL'S, PENN. ST. UNIV.

COOPERATIVE EXTENSION WORK IN AGRICULTURE AND HOME ECONOMICS DEPARTMENT OF AGRICULTURAL ENGINEERING UNIVERSITY OF MARYLAND			
UNITED STATES DEPARTMENT OF AGRICULTURE BUREAU OF AGRICULTURAL MECHANIZATION			
PORTABLE DIPPING VAT FOR SHEEP			
USDA	66	EX 5939	SHEET 1 OF 3