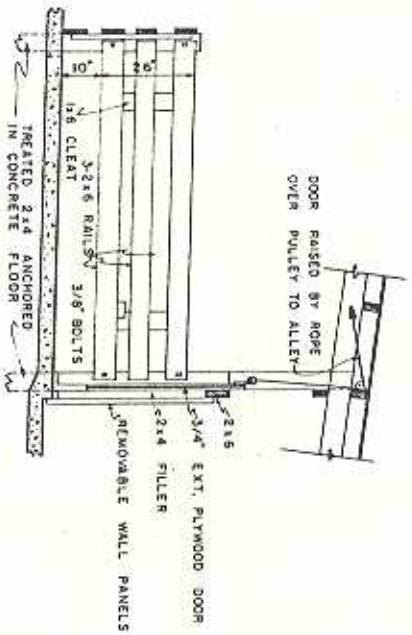
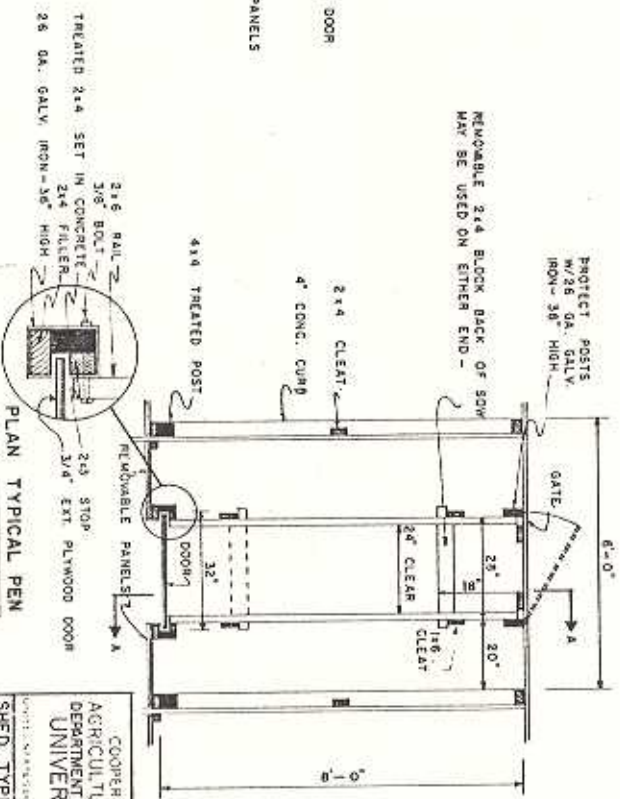


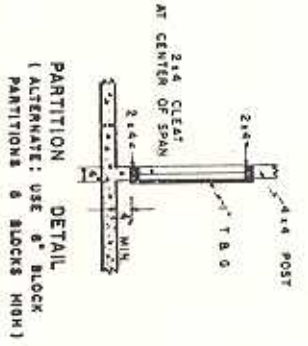
FLOOR PLAN
SCALE: 0 2 4 6 FT.



SECTION: A-A
SCALE: 0 2 3 FT.



PLAN TYPICAL PEN
SCALE: 0 1 2 3 FT.



PARTITION DETAIL
(ALTERNATE: USE 8" BLOCK PARTITIONS 8 BLOCKS HIGH)

COOPERATIVE EXTENSION WORK IN
AGRICULTURE AND HOME ECONOMICS
DEPARTMENT OF AGRICULTURAL ENGINEERING
UNIVERSITY OF MARYLAND
PUBLISHED BY THE UNIVERSITY OF MARYLAND
SHEED TYPE FARROWING HOUSE OF
FARROW-TO-FINISH UNIT
N.C. 65 EX 5993 SHEET 1 OF 2