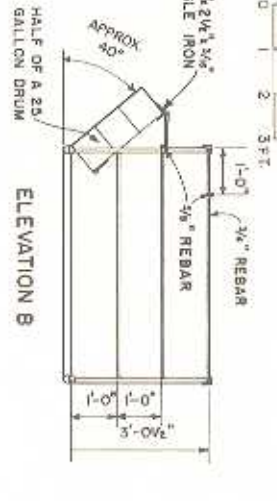
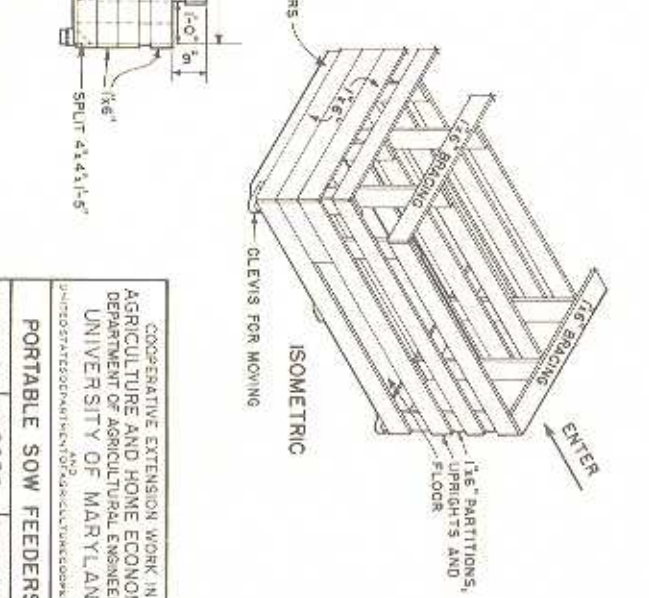
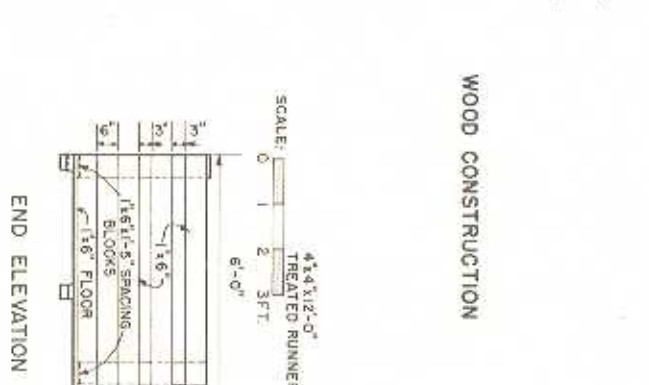
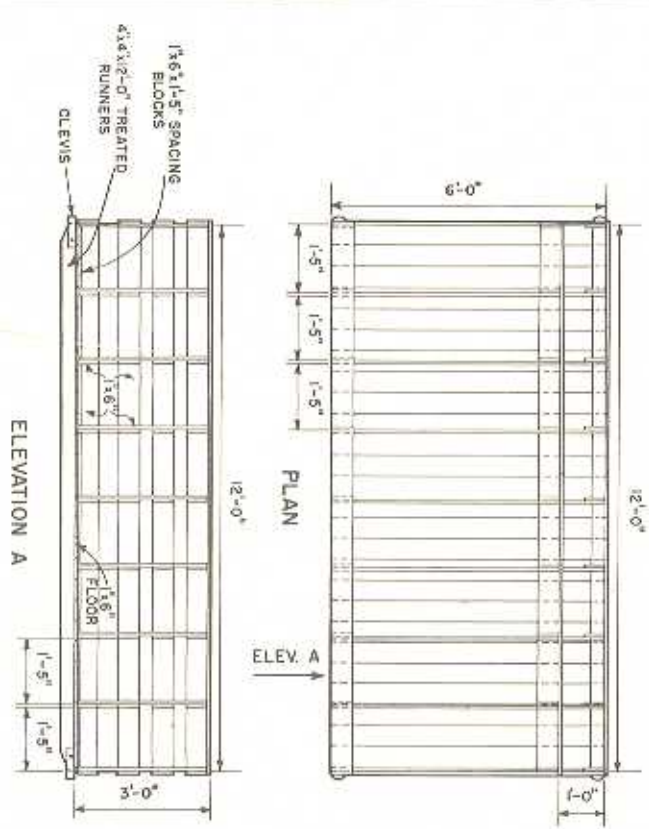


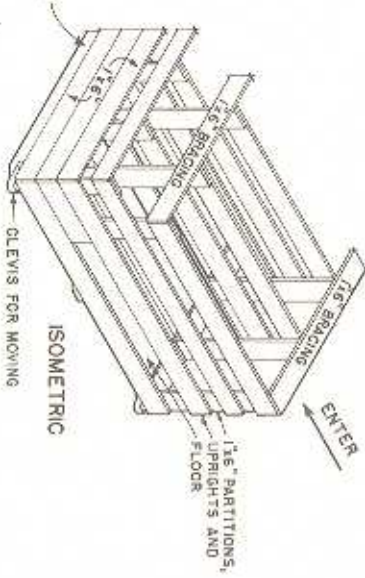
NOTES:
 1. WELD ALL JOINTS.
 2. BUTT WELD PIPE JOINTS.
 3. USE REINFORCING BARS OR PIPE FOR CONSTRUCTION.



METAL CONSTRUCTION



WOOD CONSTRUCTION



SCALE: 0 1 2 3 FT.
 6'-0"