

### LIST OF MATERIALS:

- BRACES - 6 PCS. 2x6x5'-0"
- GATE MATERIAL - 2 PCS. 1x4x10'-0"
- GIRDERS AND TOP - 2-4" T-HINGERS
- RAILING - 1 PC. 2x10x16'-0"
- HARDWARE - 2 PCS. 2x6x14'-0"
- 36-1/2x7/16" BOLTS
- 8-1/4x1/2" BOLTS
- RAFTERS - 4 PCS. 2x6x16'-0"
- JOISTS - 4 PCS. 3x4x5'-0"
- POSTS - 2 PCS. 3x4x5'-0"
- 5 PCS. 3x4x4'-10"
- 4 PCS. 2x4x4'-10"
- 2 PCS. 3x4x2'-0"
- 4 PCS. 2x4x12'-0"
- ROOFING MATERIAL - 195 SQ. FT. METAL ROOFING
- RUNNERS - 6 PCS. 2x6x16'-0"
- PURLINS - 7 PCS. 2x4x16'-0"
- SLATS - 41 PCS. 2x4x14'-0"
- WATERER - HOG, WITH ELECTRIC HEATING ELEMENT AND PIPE
- WIRE - 3'-0"x60'-0" OF 1" CHAIN LINK WIRE FENCING OR EQUIVALENT

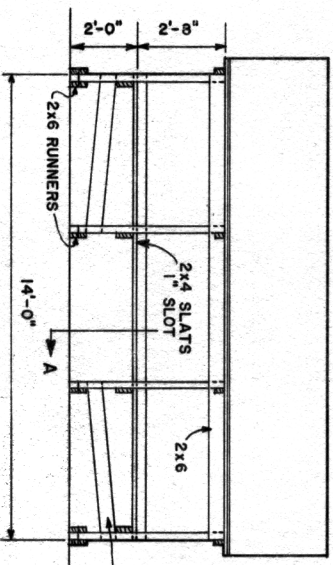
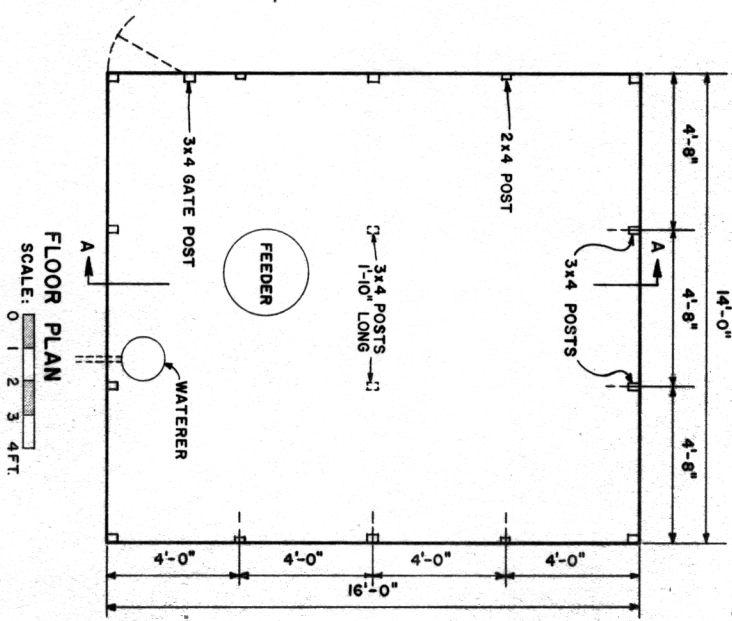
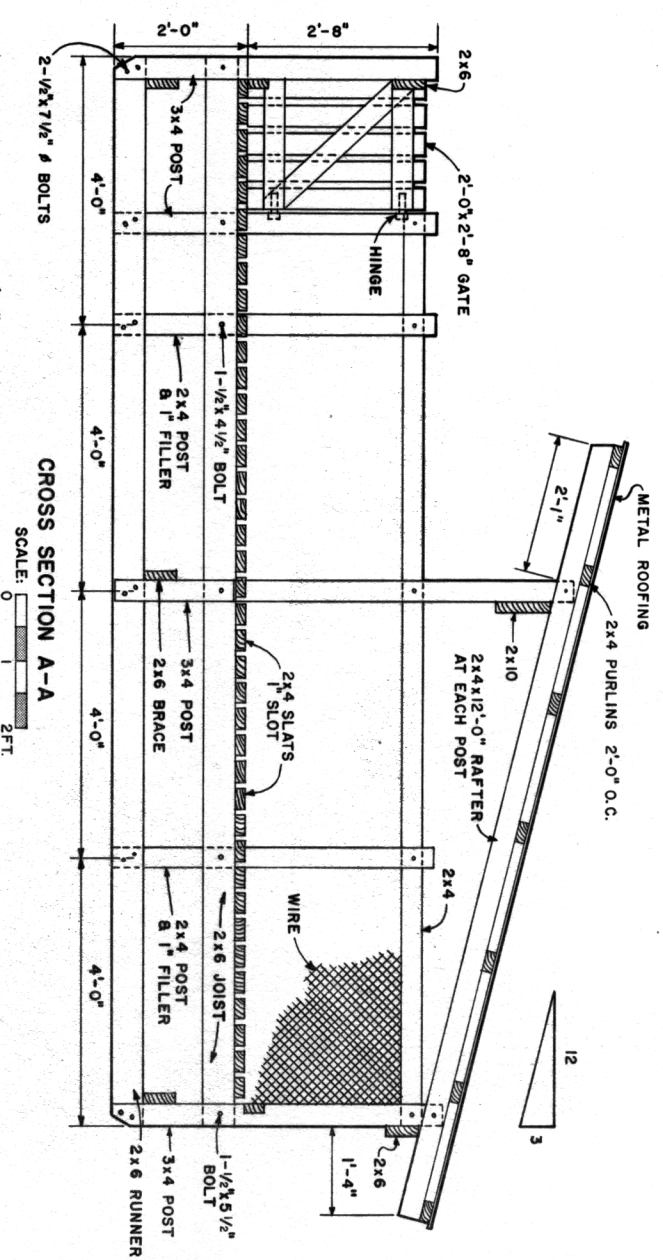
\* PRESSURE TREATED

### NOTE:

GREEN OAK SLATS SPACED 3/4" APART. WHEN DRIED, SLOT WILL BE 1". ALL LUMBER EXCEPT RAFTERS, PURLINS, & SLATS TO BE PRESSURE TREATED.

### ALTERNATE ROOF

HEIGHT OF ROOF MAY BE INCREASED BY ALTERING LENGTH OF 3x4 POSTS SUPPORTING ROOF SO THAT A MAN CAN STAND UPRIGHT & SO THAT A LARGE FEEDER CAN BE OPENED & REFILLED UNDER THE ROOF.



### NOTE:

AFTER EACH GROUP OF HOGS IS FINISHED, MOVE UNIT TO NEW POSITION. CLEAN WASTE FROM OLD POSITION. CAPACITY 30 HOGS AND FOR FINISHING MORE HOGS. PROVIDE ADDITIONAL UNITS. PROVIDE ONE WATERER WITH HEATING ELEMENT.