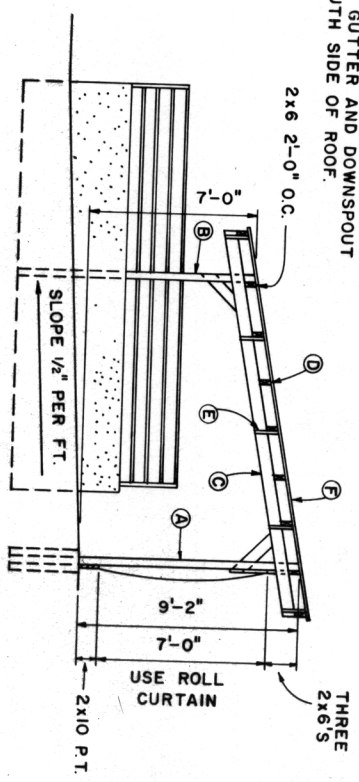


PERSPECTIVE

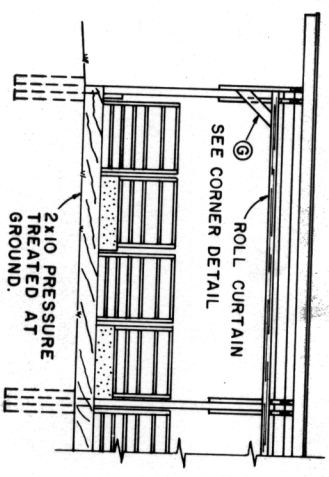
NOTE:
CURTAIN NOT SHOWN.
GUTTER & DOWNSPOUT
NOT SHOWN.

NOTES:
BOARD TYPE INSULATION TO BE
APPLIED TO RAFTERS BEFORE
PLACING CORRUGATED METAL
ROOFING.
METAL GUTTER AND DOWNSPOUT
ON SOUTH SIDE OF ROOF.

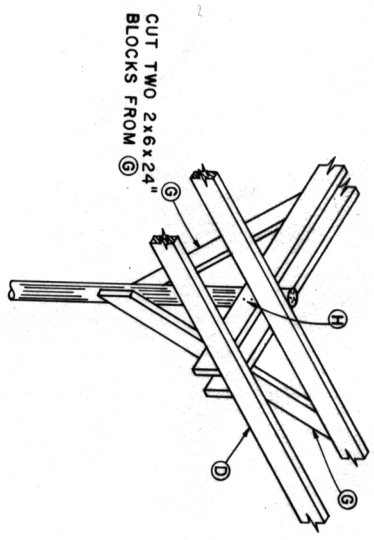


SIDE ELEVATION

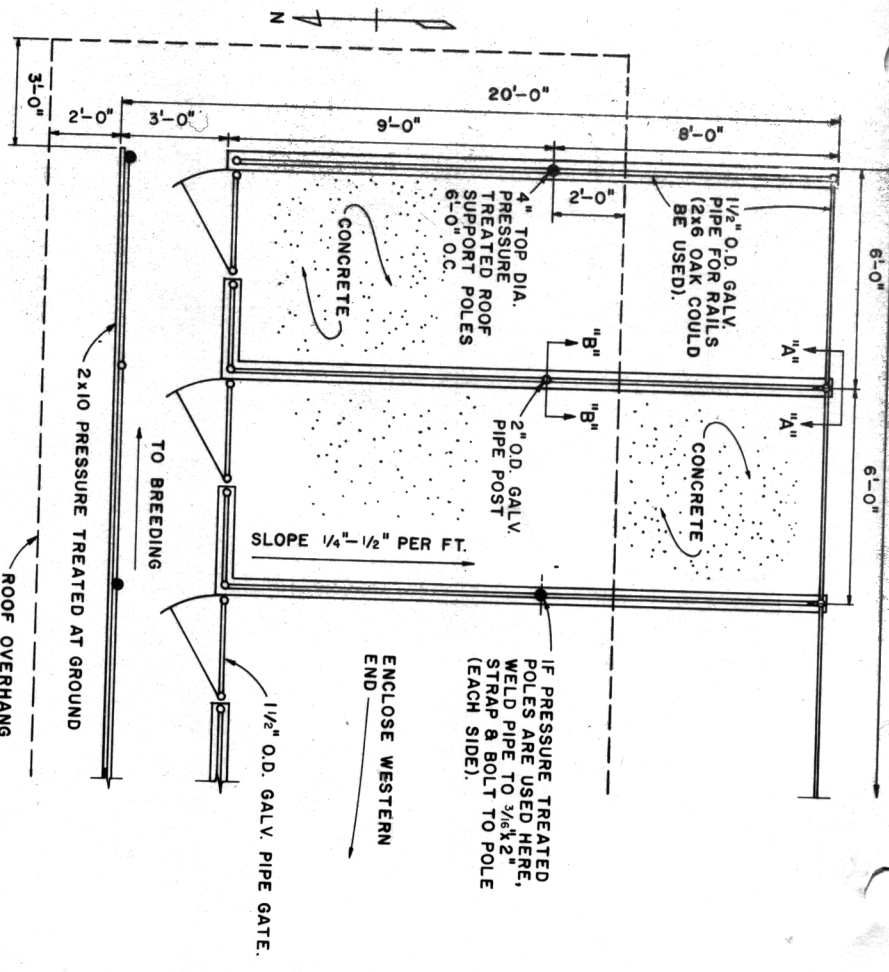
NOTE:
FOOTINGS TO BEAR ON
FIRM BASE BELOW
FROST LINE.



FRONT ELEVATION



CORNER DETAIL
NOT TO SCALE



PLAN

SCALE: $\frac{3}{8}$ "=1'-0"

- CUTTING LIST
- A 4" TOP x 12'-0" POLES PRESSURE TREATED.
 - B 4" TOP x 10'-0" POLES
 - C 2x6 x 16'-0"
 - D 2x6 x 16'-0" ON END BAYS
 - E 2x6 x 14'-0" ON INTERMEDIATE BAYS.
 - F 2x2 x 12"
 - G 16'-0" x 2 1/2" CORR. METAL.
 - H 2x6 x 4'-0" BOLTS

SCALE: $\frac{1}{4}$ "=1'-0" UNLESS
OTHERWISE NOTED

COOPERATIVE EXTENSION WORK IN
AGRICULTURE AND HOME ECONOMICS

UNITED STATES DEPARTMENT OF AGRICULTURE COOPERATING

MISS. '75 6207 SHEET 1 OF 2