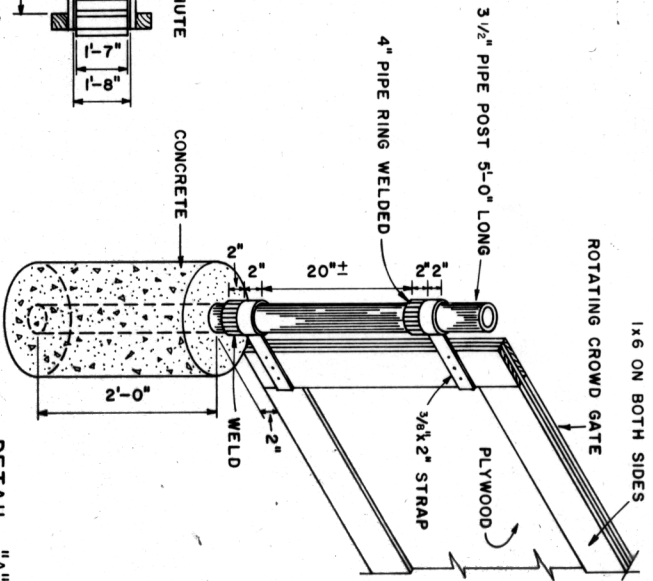
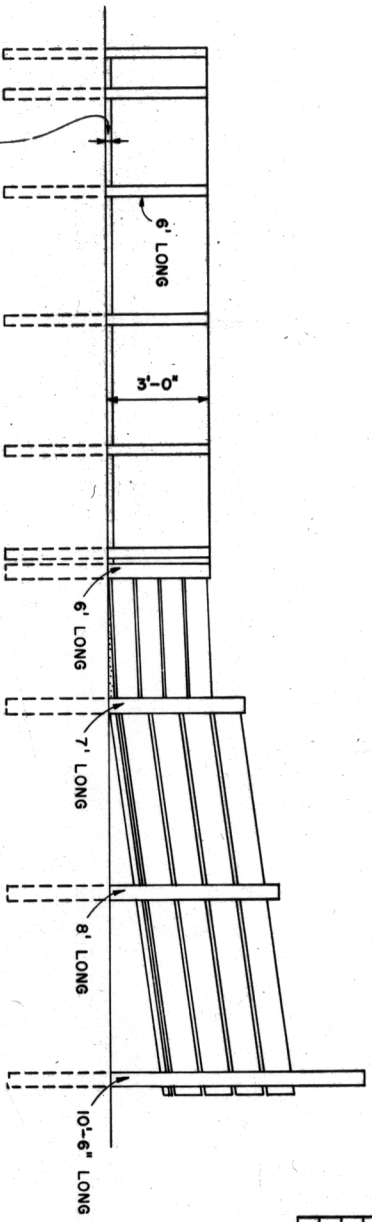


NOTE:  
 1. PLAN 5852, VARIABLE HEIGHT.  
 2. PLAN 6183, THREE TIER.

PLAN



DETAIL "A"



ELEVATION

CAPACITY OF LOADING PENS			
DIAMETER (FT.)	FEEDER PIGS AT 2 SQ. FT.	MARKET HOGS AT 6 SQ. FT.	
12	57	19	
16	100	34	
20	157	52	
24	226	75	
28	308	103	
32	402	134	

COOPERATIVE EXTENSION WORK IN  
 AGRICULTURE AND HOME ECONOMICS

AND  
 UNITED STATES DEPARTMENT OF AGRICULTURE COOPERATING

**CIRCULAR LOADING PEN**  
 FOR SWINE

N.C. 75 **6223** SHEET 1 OF 1