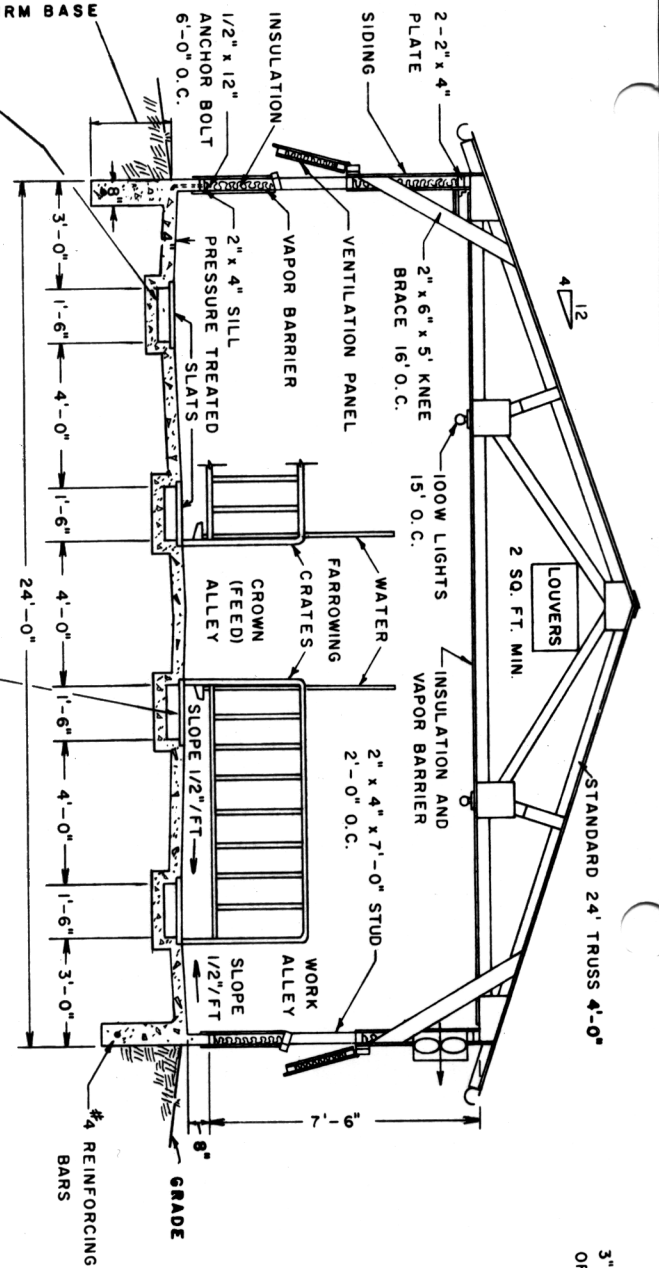
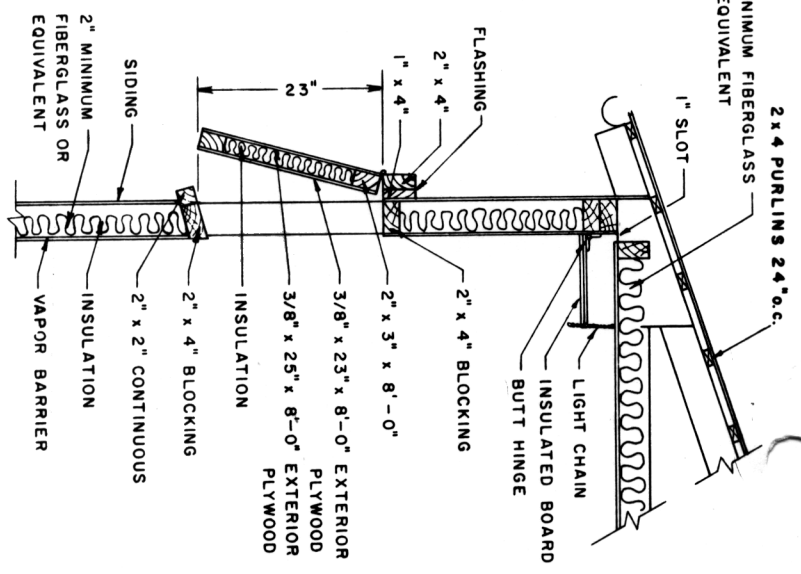


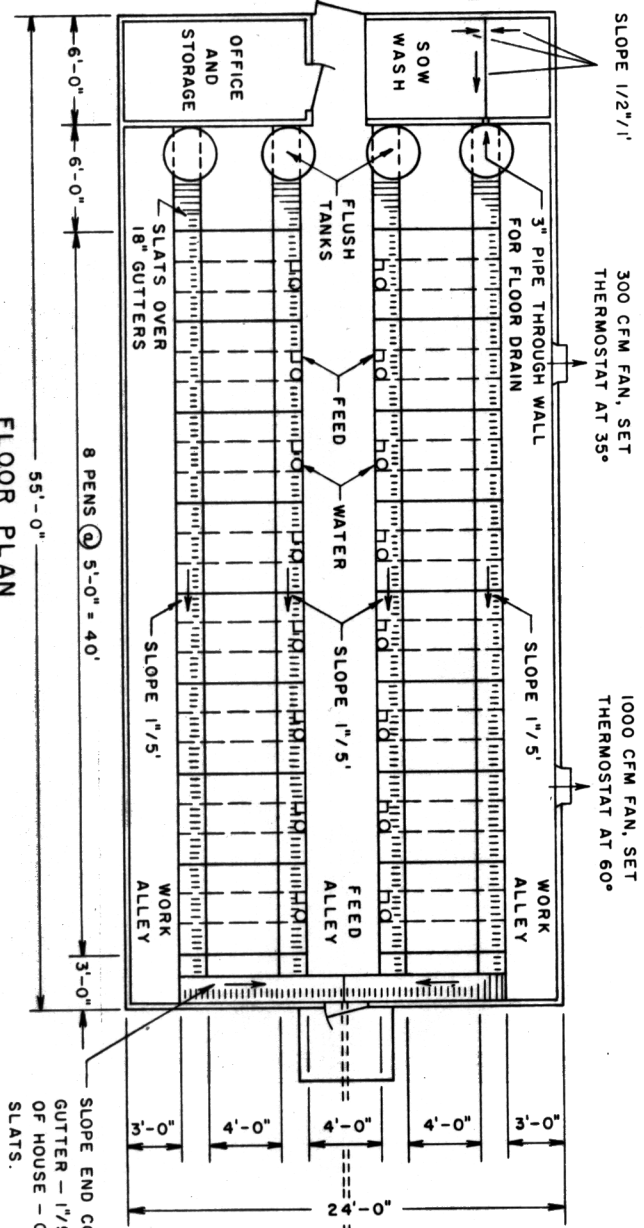
EXTEND FOOTINGS TO FIRM BASE
BELOW FROST LINE



SECTION



WALL SECTION



FLOOR PLAN

NOTE:
CONSULT LOCAL HEALTH AND BUILDING CODE
AUTHORITIES BEFORE STARTING CONSTRUCTION

BASED ON: UNIV. OF MD.
PLAN 75-1-5

COOPERATIVE EXTENSION WORK IN
AGRICULTURE AND HOME ECONOMICS

UNITED STATES DEPARTMENT OF AGRICULTURE COOPERATING

FARROWING HOUSE

MD. 76 6 2 39 SHEET 1 OF 2