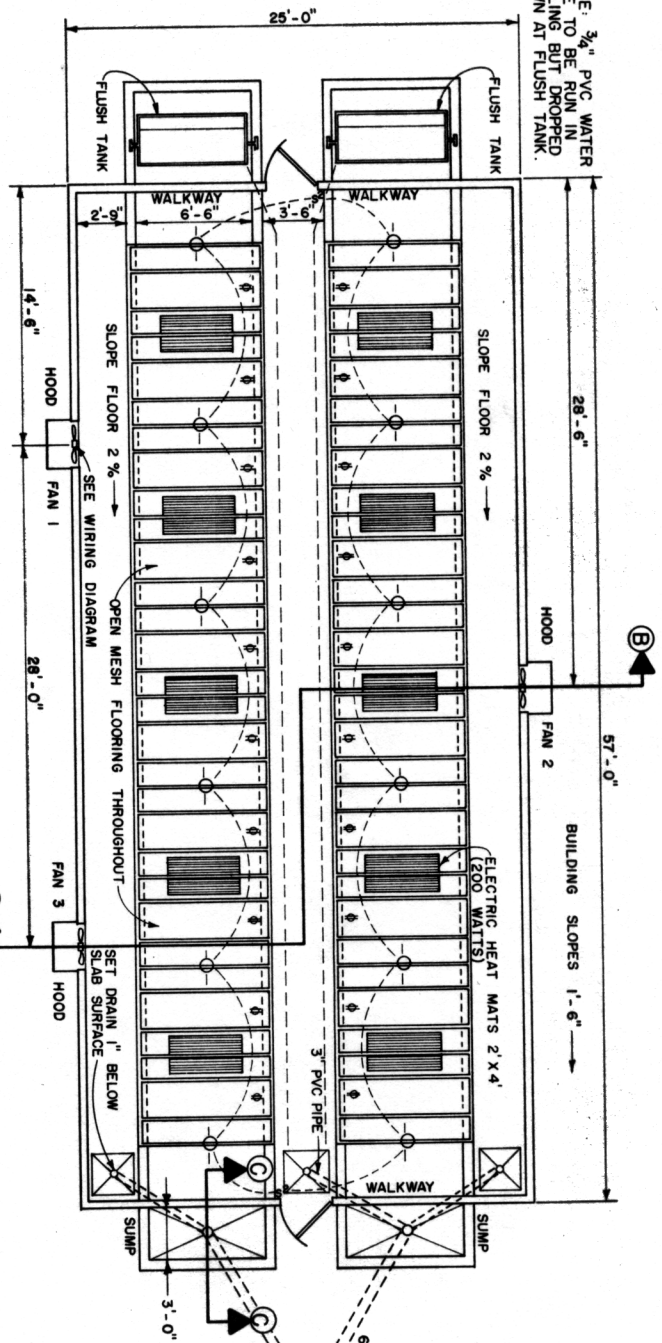
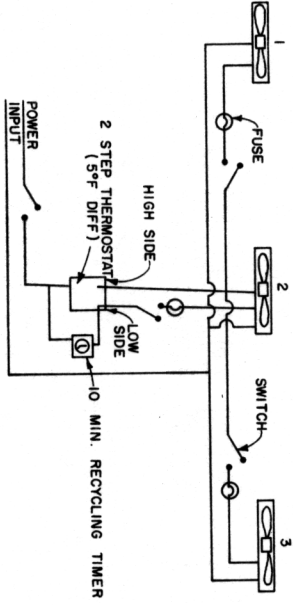


NOTE: 3/4" PVC WATER LINE TO BE RUN IN CEILING BEHIND DOWN AT FLUSH TANK.



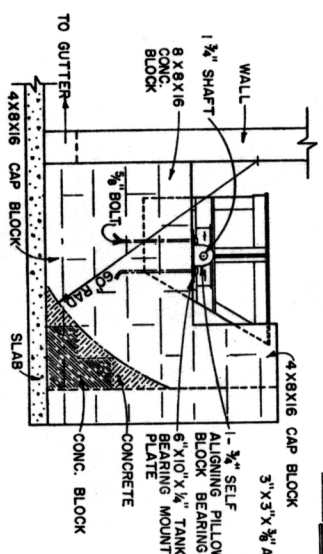
FLOOR PLAN



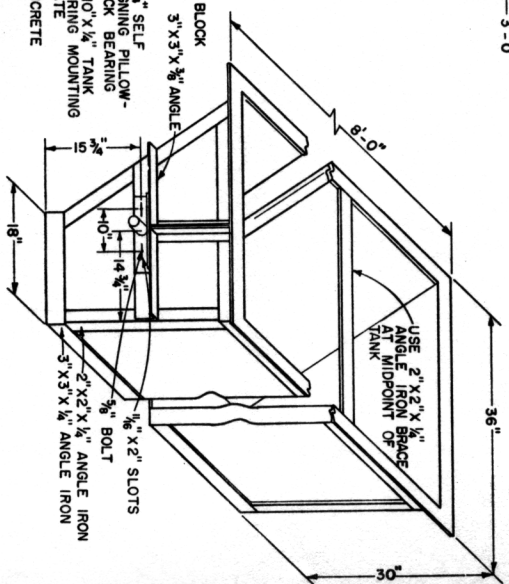
**COLD WEATHER:**  
 USE TIME CLOCK TO OPERATE FAN 2 APPROX. 20% OF TIME, (2 MIN. IN 10) FOR MOISTURE REMOVAL AND TO MAINTAIN 55-70% HUMIDITY IN BLDG. MAINTAIN TEMPERATURE AT 60-70°F.

**HOT WEATHER:**  
 FAN 2 CONTROLLED BY LOW SIDE OF 6° DIFFERENTIAL THERMOSTAT. FANS 1 & 3 CONTROLLED BY HIGH SIDE.

WIRING DIAGRAM



FLUSH TANK



NOTES FOR FLUSH TANK:

1. FORM CURVED SPLASH SURFACE WITH CONCRETE BLOCKS AND CONCRETE.
2. FILL ALL CORES WITH CONCRETE. PLACE 5/8" BOLTS WHEN FILLING CORES.
3. USE 12 GAUGE SHEET METAL. WELD CONTINUOUSLY TO AVOID LEAKAGE. TACK WELD FRAME TO TANK WITH 2" WELDS SPACED 8" O.C.
4. USE EPOXY PAINT WITH APPROPRIATE PRIMER.
5. ADJUST SHAFT AS NEEDED TO BALANCE TANK. WEIGHTS MAY BE NEEDED FOR FINAL BALANCING.

ELECTRICAL NOTES:  
 ALL FANS: 6000 CFM AT 1/8" S.P.

MARK	DESCRIPTION
Φ	110-120V RECEPT. MOUNTED IN CEILING
○	CEILING OUTLET
⊖	DOUBLE POLE SWITCH

COOPERATIVE EXTENSION WORK IN AGRICULTURE AND HOME ECONOMICS

UNITED STATES DEPARTMENT OF AGRICULTURE COOPERATING AND

FARROWING HOUSE - 20 STALLS

AL '83 EX. 6352 SHEET 1 OF 3